

INSTALLATION INSTRUCTION MANUAL

1. Introduction

- This LED Area light uses the latest in solid state lighting technology for long life, low maintenance, and high efficiency.
- There are Multiple installation methods, suitable for various occasion.

Warning:

To avoid the risk of fire, explosion, or electric shock, this product should be installed, inspected, and maintained by a qualified electrician only, in accordance with all applicable electrical codes.

To avoid electric shock:

- Be certain electrical power is OFF before and during installation and maintenance.
- Luminaire must be connected to a wiring system with an equipment-grounding conductor.

To avoid explosion:

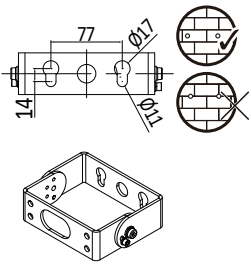
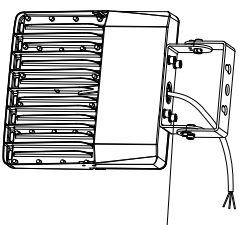
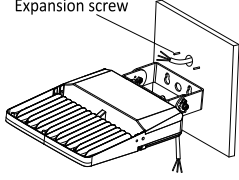
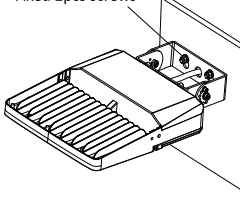
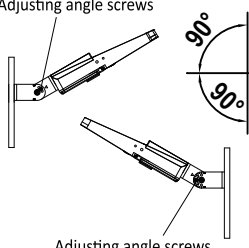
- Make sure the supply voltage is the same as the rated luminaire voltage.
- Do not install where the marked operating temperatures exceed the ignition temperature of the hazardous atmosphere.
- Do not operate in ambient temperatures above those indicated on the luminaire nameplate.
- Keep lens tightly closed when in operation.

For supply connections use wire rated for at least 90°C

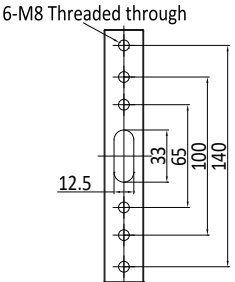
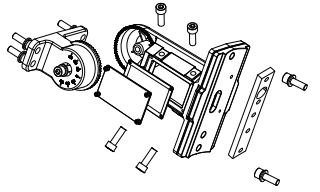
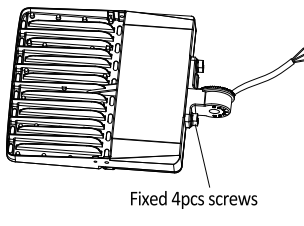
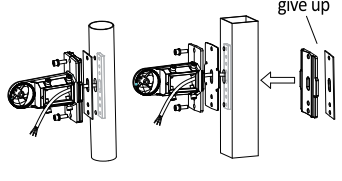
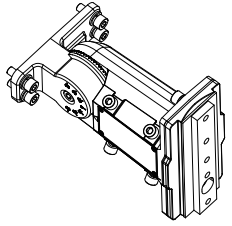
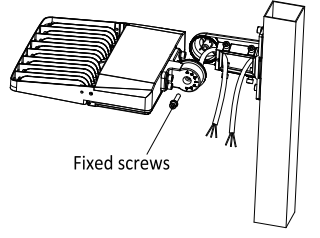
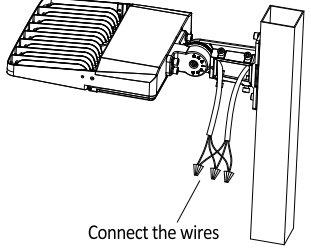
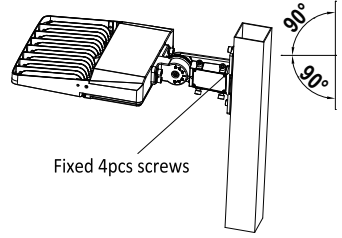
After installation, please

- Check whether the lighting fixture is firmly fixed.
- Check whether wires are connected correctly.
- At last, turn on the power, and check if the lighting fixture works well. If not, please turn off the power and contact with local dealer.

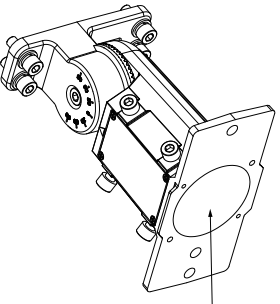
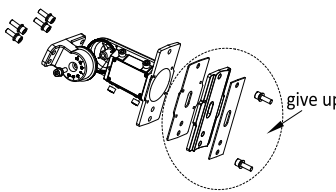
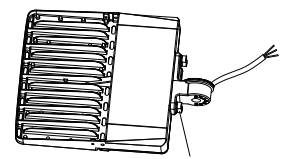
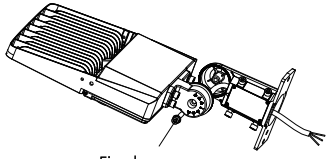
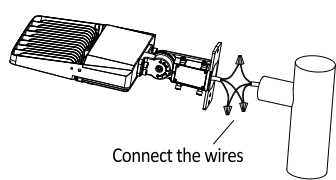
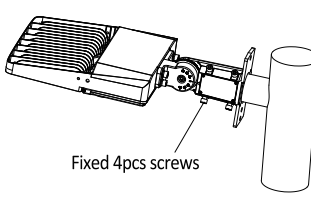
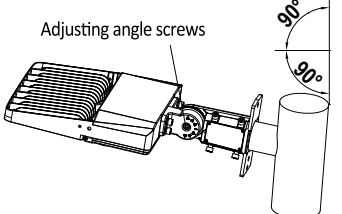
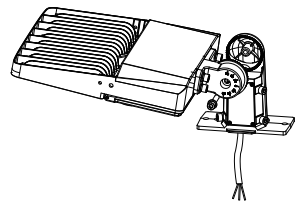
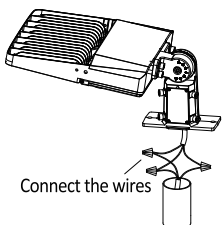
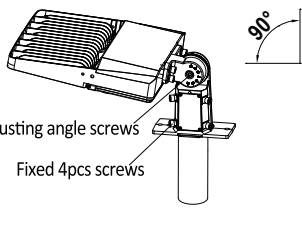
Installation instruction Trunnion mounting

| | | | | |
|--|---|---|---|--|
|  <p>Unit:mm</p> |  <p>Fixed 4pcs screws</p> <p>1. Insert the AC/Dim wire from the bracket into the base and fix the 4pcs screw on the lamp body.</p> |  <p>Expansion screw</p> <p>2. Drill two holes and insert two Expansion bolt.</p> |  <p>Fixed 2pcs screws</p> <p>3. Fix the TR bracket on the Expansion bolt with screws. Make sure the wiring is correct according to the wiring diagram. (L/N/G/ Dim+/Dim- (If have))</p> |  <p>Adjusting angle screws</p> <p>90°</p> <p>90°</p> <p>Adjusting angle screws</p> <p>4. Unscrew the screws to adjust desired angle if needs.</p> |
|--|---|---|---|--|

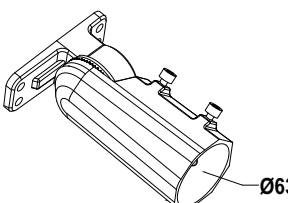
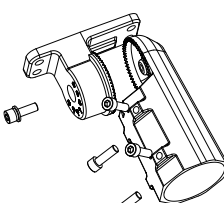
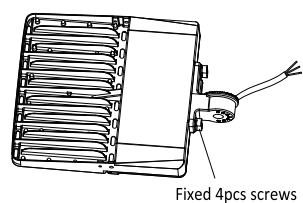
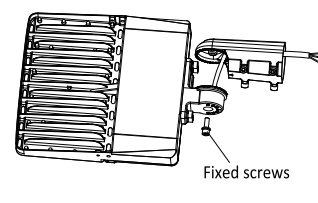
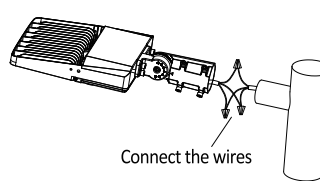
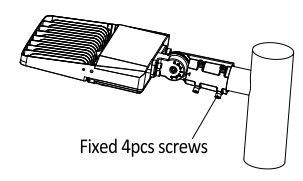
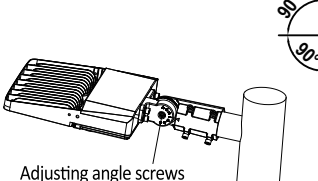
Installation instruction Unversial bracket on square/round pole

| | | | |
|--|---|--|---|
|  |  <p>1. Split the bracket.</p> |  <p>Fixed 4pcs screws</p> <p>2. Insert the AC/Dim wire from the bracket into the base and fix the 4pcs screw on the lamp body.</p> |  <p>give up</p> <p>3. Fix iron and Rubber Silicones in the lamppost and lock the screws to half.</p> |
|  <p>Unit:mm</p> |  <p>Fixed screws</p> <p>4. Insert the AC/Dim wire into the other part of the bracket, tighten the large screw.</p> |  <p>Connect the wires</p> <p>5. Make sure the wiring is correct according to the wiring diageam. (L/N/G/ Dim+/Dim-(If have)</p> |  <p>Fixed 4pcs screws</p> <p>6. Put the wire into the support chamber and lock the cover. Adjust to the required angle through large screws.</p> |

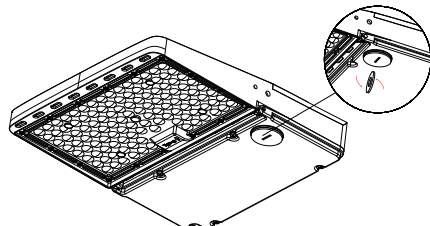
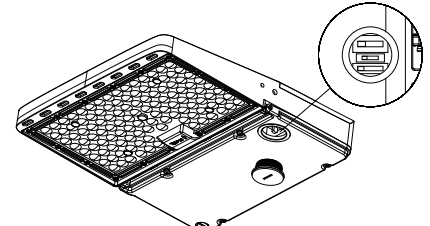
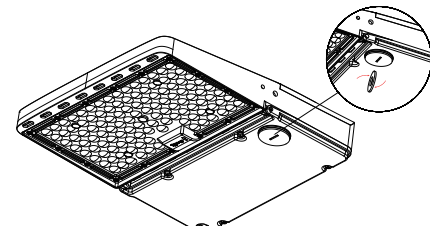
Installation instruction Unversial bracket on tennon bracket

| | | | |
|--|---|--|---|
|  <p>Ø63</p> |  <p>give up</p> <p>1. Split the bracket.</p> |  <p>Fixed 4pcs screws</p> <p>2. Insert the AC/Dim wire from the bracket into the base and fix the 4pcs screw on the lamp body.</p> |  <p>Fixed screws</p> <p>3. Insert the AC/Dim wire into the other part of the bracket, tighten the large screw.</p> |
| <p>Unit:mm</p> |  <p>Connect the wires</p> <p>4a. Make sure the wiring is correct according to the wiring diageam. (L/N/G/ Dim+/Dim-(If have)</p> |  <p>Fixed 4pcs screws</p> <p>5a. Install the lamp post and tighten the 4pcs M8 screw.</p> |  <p>Adjusting angle screws</p> <p>6a. Unscrew the screws to adjust desired angle if needs.</p> |
| <p>Unit:mm</p> |  <p>4b. Insert the AC/Dim wire into the other part of the bracket, tighten the large screw.</p> |  <p>Connect the wires</p> <p>5b. Make sure the wiring is correct according to the wiring diageam. (L/N/G/ Dim+/Dim-(If have)</p> |  <p>Adjusting angle screws</p> <p>Fixed 4pcs screws</p> <p>6b. Install the lamp post and tighten the 4pcs M8 screw. Unscrew the screws to adjust desired angle if needs.</p> |

Installation instruction Slip-fitter bracket

| | | | |
|--|---|--|---|
|  <p>Ø63</p> |  <p>1. Split the bracket.</p> |  <p>Fixed 4pcs screws</p> <p>2. Insert the AC/Dim Wire from the bracket into the base and fix the 4pcs screw on the lamp body.</p> |  <p>Fixed screws</p> <p>3. Insert the AC/Dim Wire into the other part of the bracket, and tighten the large screw.</p> |
| |  <p>Connect the wires</p> <p>4. Make sure the wiring is correct according to the wiring diagram. (L/N/G/ Dim+/Dim-(If have)</p> <p>Unit:mm</p> |  <p>Fixed 4pcs screws</p> <p>5. Install the lamp post and tighten the 4pcs M8 screw.</p> |  <p>Adjusting angle screws</p> <p>6. Adjust to the required angle through large screws.</p> |

CCT, Wattage, Beam Angle and Mini Photocell

| | | |
|---|--|--|
|  <p>1. Use a flat gasket/screwdriver to unscrew the plastic cover.</p> |  <p>2. Use the DIP switch to select wattage, CCT, Beam Angle and ON/OFF for the mini photocell.</p> |  <p>3. Screw the plastic cover back by flat gasket/screwdriver.</p> |
|---|--|--|