

Linear High Bay (Dimmable)

Cautions:

1. Can not use the electric generator to test the LED lamp.
2. Please abide by related country, regional and local law and regulations when install this fixture.
3. To avoid electrical shock and damage, please do not install the lights in raining days.

Notices:

- 1.To prevent from electric shock or fire risk, the installation must be conducted by operator who have professional electrical knowledge.
- 2.Please wear gloves to avoid injury before installing lamps.
- 3.During or after installation, if there are situations such as smoke, fire in the wires or lamps, please turn off the power immediately and notify relevant personnel of an overhaul.
- 4.This light can be used for outdoor installation.

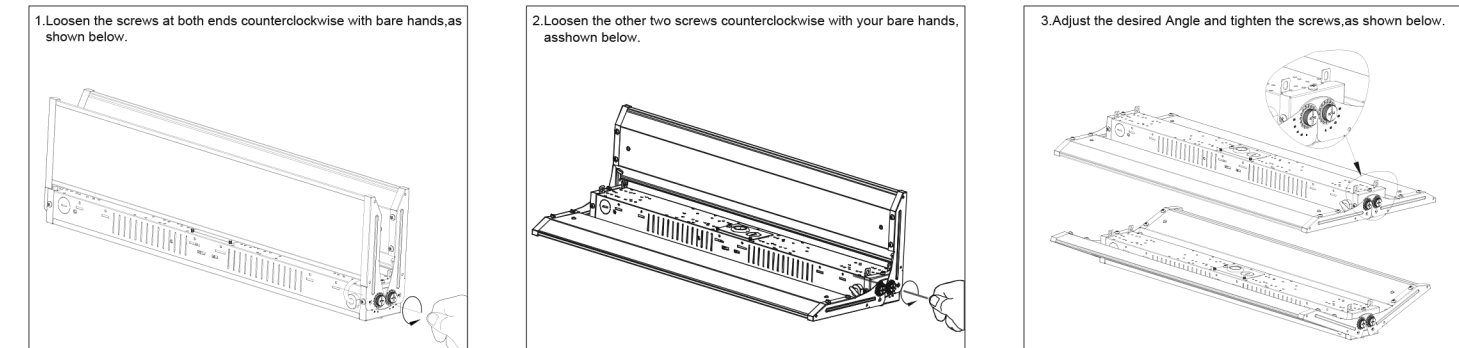
Instructions:

- 1 This product has dimming and non-dimming function, which differs in installation ways.
- 2 3 kind of dimming functions are available in this high bay light:
 - 1) Constant current can be achieved by 0-10vDC dimming.
 - 2) PWM signal dimming.
 - 3) Variation of resistance unit dimming(Please choose the appropriate dimming way according to your needs. You can also choose not to use this function)
- 3 Choose the wire connection ways, dimming ways and installation ways according to your needs and the led fixture purchased.

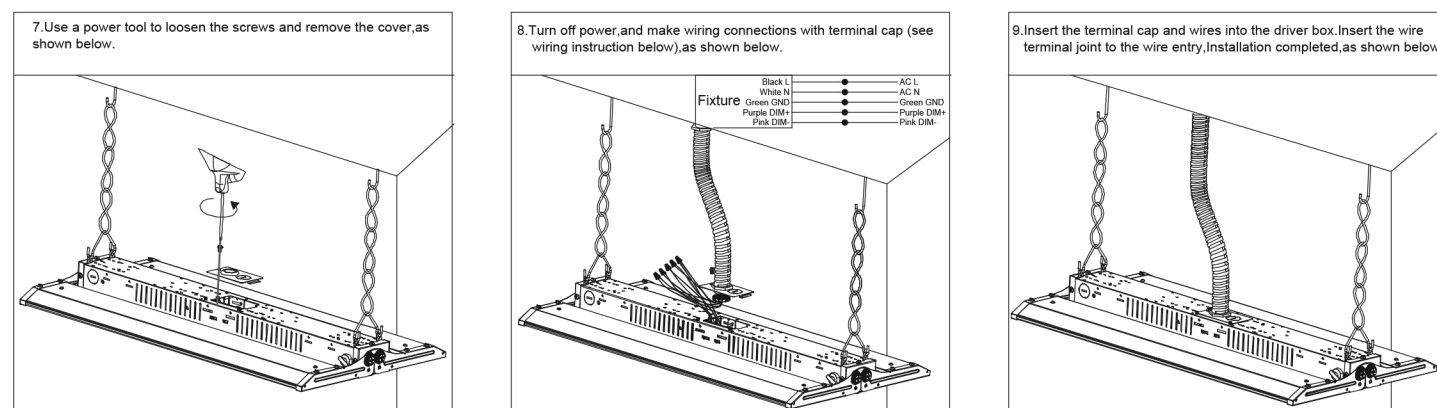
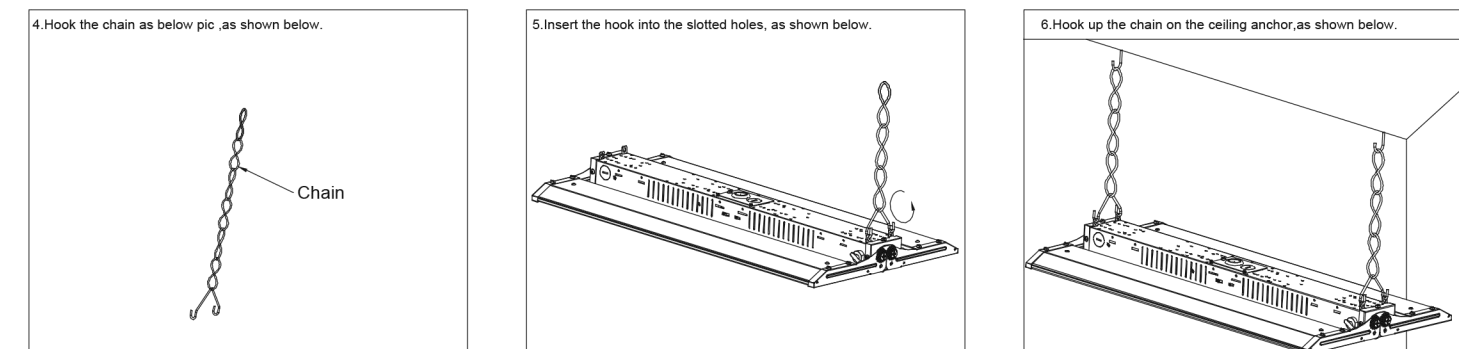
• Please read instruction before commencing installation and retain for future references. Electrical products can cause death or injury, or damage to property. If in any doubt about the installation or use of this product, consult a competent electrician.

Part No.	Power	Input Current	Input Voltage	Frequency	PF	THD	Luminous Flux	CCT	Ra	Life Span	Warranty
VO-LHZW220FT2-347-3WAY-D-S	220W 165W 110W	2.01A	AC120-347V	50/60Hz	>0.9	<20%	33000lm	3500K 4000K 5000K	70	50,000h	5 years

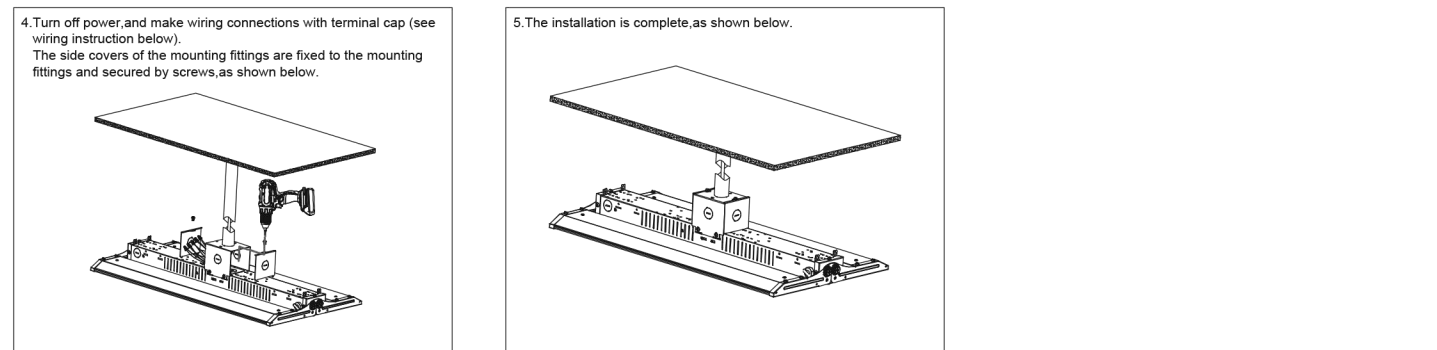
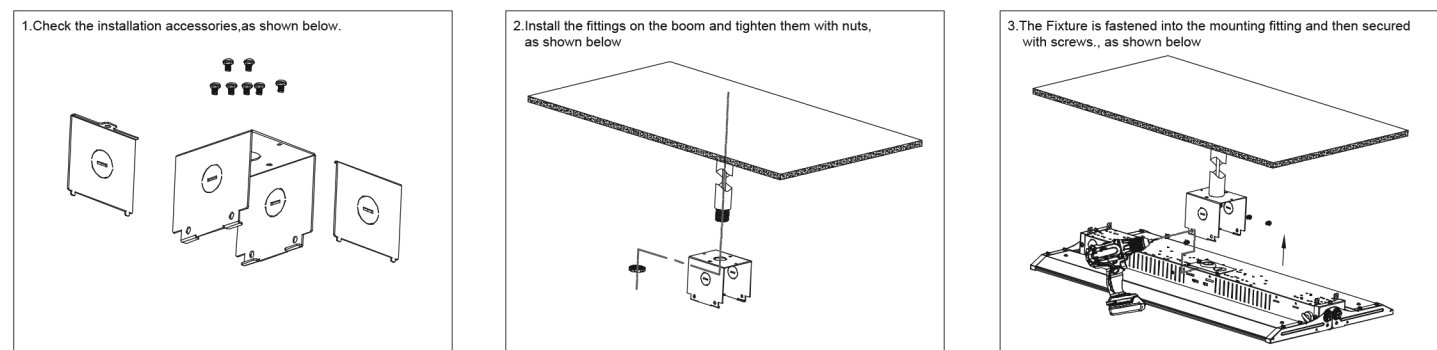
Preparation before installation



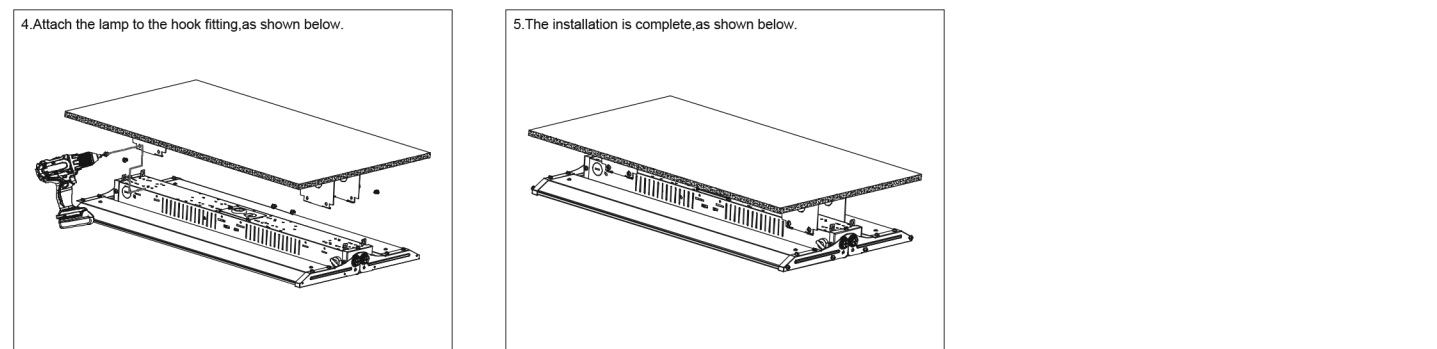
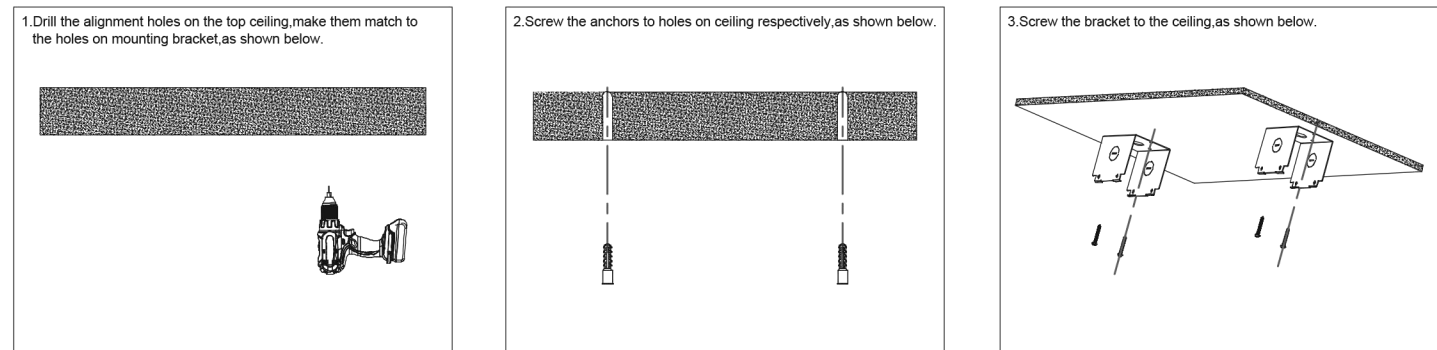
Chain Installation



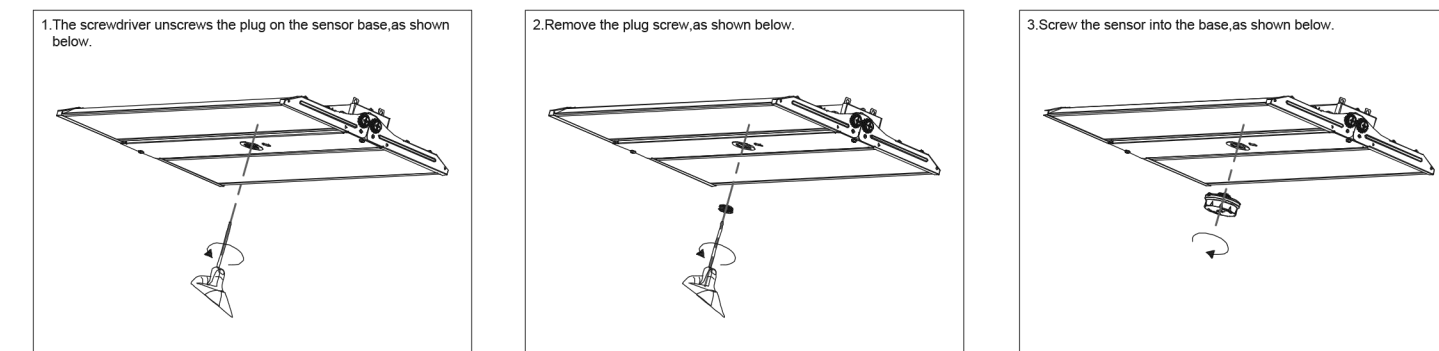
Pendant Mount Installation



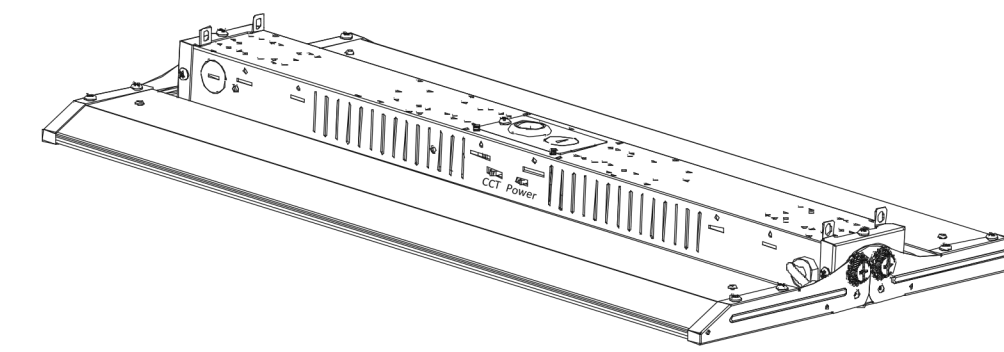
Surface Mount Installation



Sensor Installation



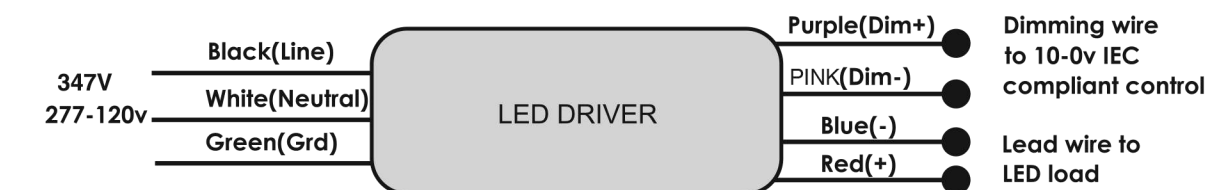
Flip the color temperature switch to the desired color temperature (note: if both toggle switches need to be dialed to the corresponding color temperature) : flip the power switch to the desired wattage, as shown in the figure.



Note:

- . The installation and maintenance must be completed by electricians or professionals.
- . Please cut off the power before installation and maintenance.
- . The thermally insulating material is not allowed to cover the fixture.
- . Please keep away from the corrosive substance, and keep the fixture dry and clean.
- . Working temperature: -40°F~113°F, storage temperature: -40°F~140°F.

General Wiring Diagram



The Installation must be carried out by a qualified electrician.