

Project : _____
 Type : _____
 Drawn by : _____
 Catalogue No. : _____
 Date : _____



Specifications

Model No.		<input type="checkbox"/> CR-7125
General	Input Power	3.5W
	Output Power	3.8W
	Lumen	200LM
	CCT	6500K
	Volts	AC120-347V
	CRI	>80
	Beam Angel	33 degree
	Hours Rated	50000 hours
Electrical	Dimension	12.6"X8.1"X2.5"
	Operating Frequency	50/60Hz
	Power Factor	>0.9
Physical	Operating Temperature	-20°C/-4°F To 40°C/104°F
	Material	Thermoplastic and PC difusser
Additional Information	Weight (Kg)	2.2
	Backup Time:	120 minutes
	MAX. remote LOAD	No
Compliance	Warranty	5 years
	Safety Listing	CSA -Listed
	Location Rating	Wet
	Energy Star	No
	DLC Approved	No
	DLC ID	No

Features & Specifications

Construction

- Thermoplastic Housing and PC diffuser
- High efficiency LED

Mounting

- Universal wall mount

Performance Data

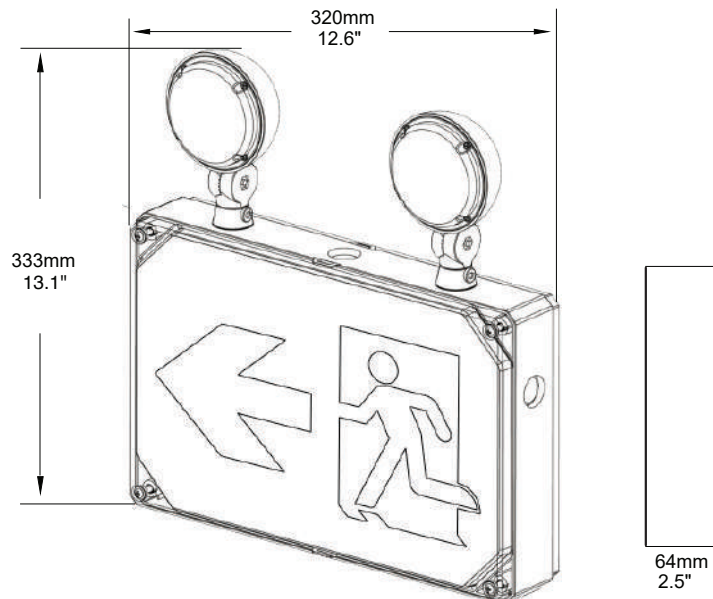
- 120-347VAC Input
- 3.6V 1.8Ah Ni-MH Battery
- Diagnostic/pilot LED for AC ON and Charge
- Push button test switch
- Charging time: 24 hours

Compliances

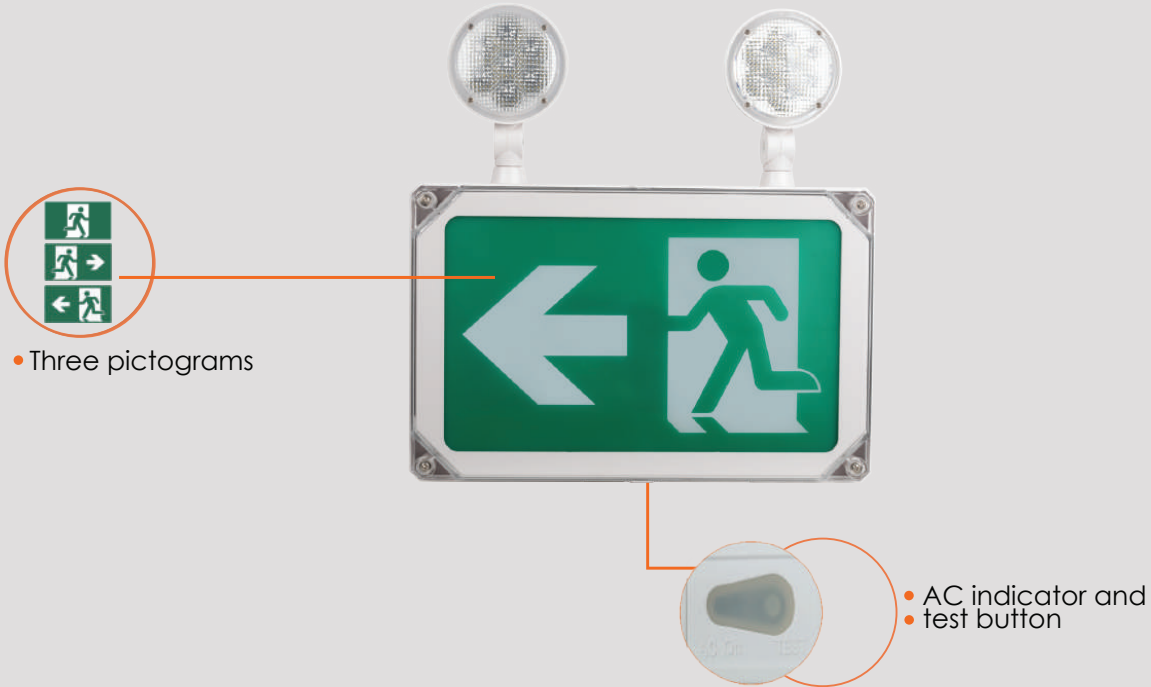
- CSA certified for wet locations

Dimensions & Weights

Model	CR-7125
Length in.(cm)	12.6(32)
Width in.(cm)	2.5(6.4)
Height in.(cm)	13.1(33.3)
Weight(kg)	2.2

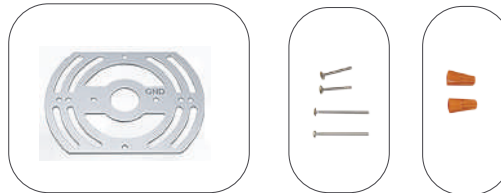


Product Details



Accessories (Included)

Accessories	Quantity
Hardware Kit	1 pack



Battery Back Up Details

Wattage	Battery Backup Time
3.8W	120mins

Model No.	Input Ratings				Emergency Output Ratings		Emergency Run Time	Recharge Time
	Vac	Hz	Amps (mA)	Watts	Integral	Remote	Minutes	Hours
CR-7125	120-347V	50/60	37	3.5	3.8W	NA	120	24



Data is based upon tests performed in a controlled environment. Actual performance can vary depending on operating conditions. All products are subject to change or may be discontinued any time without notice. Please contact your Votatec customer service representative to confirm inventory levels at time of order

