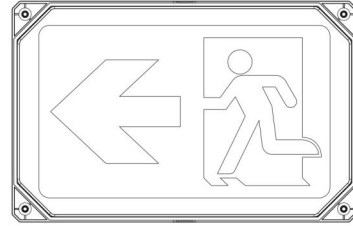


INSTALLATION INSTRUCTIONS

Package Contents

Part	Description	Quantity
1	Emergency Exit Sign	1
2	Canopy	1



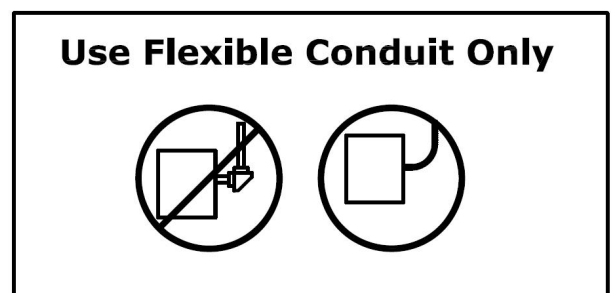
Warnings and Cautions

IMPORTANT SAFEGUARDS

READ AND FOLLOW ALL SAFETY INSTRUCTIONS

1. Review the diagrams thoroughly before beginning.
2. All electrical connections must be in accordance with local codes, ordinances and the National Electrical Code.
3. Disconnect power at fuse or circuit breaker before installing or servicing.
4. Do not mount in hazardous locations, or near gas or electric heaters.
5. Do not let power cords touch hot surfaces.
6. Equipment should be mounted in locations and at heights where it will not be subjected to tampering by unauthorized personnel.
7. The use of accessory equipment not recommended by the manufacturer may cause an unsafe condition.
8. Do not use this equipment for other than its intended use.
9. All servicing should be performed by qualified personnel only.
10. Allow battery to charge for 24 hours before first use.

SAVE THESE INSTRUCTIONS

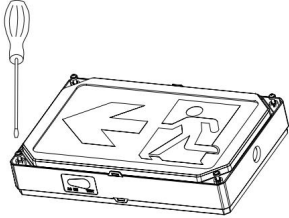


Mounting Instructions

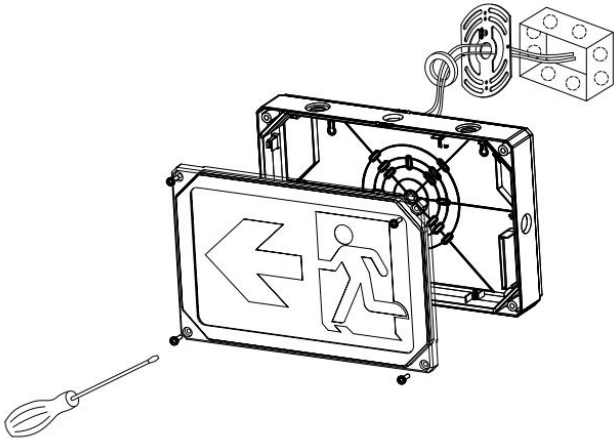
NOTE: First turn off electricity.

Wall mounting

1. Open the EXIT housing and diffuser with a screwdriver.



2. Knockout the back of the mounting plate and push wires through the hole.



3. Make the proper supply lead connections.

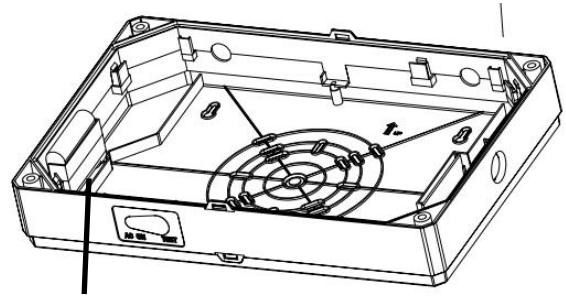
Connect black and white wires to the building utility.



Black
120-347VAC
INPUT

White
Neutral

4. Connect the battery to PCB.



BATTERY

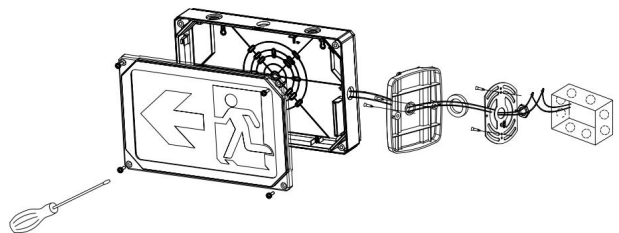
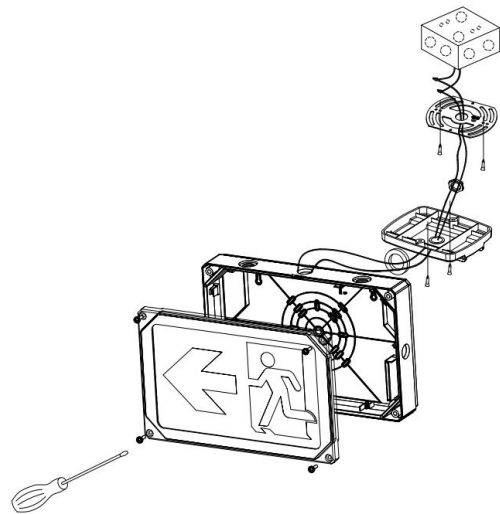
5. Snap fixture onto mounting plate and ensure no wires are pinched. Make sure the unit is fully attached.

6. Restore power and press test button. Battery powered LED will come on, AC light will turn off.

Ceiling or end mounting

1. Open the EXIT housing and knockout on the top of fixture.

2. Knockout the top or side of the mounting plate and push wires through the hole.



3. Refer to steps 3 - 6 in the wall mounting section above for ceiling mounting.