

Project : _____
 Type : _____
 Drawn by : _____
 Catalogue No. : _____
 Date : _____



Specifications

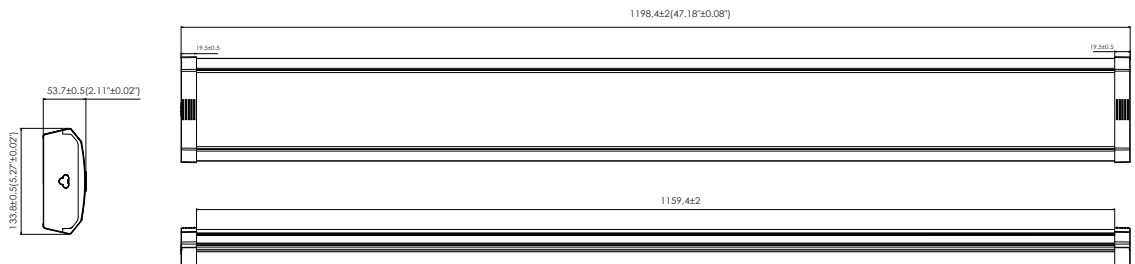
Model No.		<input type="checkbox"/> VO-WR5FT4W48-347-3Way- L
General	Watt	36/40/48W
	HID Equivalent	144 W
	Lumen	4140LM/4600LM/5500LM
	Base	Die-cast aluminum housing
	CCT	3000K/4000K/5000K
	Volts	AC120 - 347V
	CRI	>80
	Beam Angel	120degree
Electrical	Hours Rated	50,000 hours
	Operating Frequency	50-60Hz
	Power Factor	>0.9
	Surge Protection	L-N: 1KV; L-N-G: 2KV
Physical	Operating Temperature	-20C°(- 4F) TO 45C° (113F)
	MOL	47.2in
	MOD	2.13in
	Lens Material	Plastic
	Housing Color	White
Additional Information	Weight (kg)	1.72
	Additional Info	0 - 10V dimmable; 3CCT/3Watt selectable
	Rated For Enclosed Fixture	Yes
Compliance	Warranty	5 years
	Safety Listing	ETL
	Location Rating	Damp
	Energy Star	No
	DLC Approved	DLC 5.1 standard
DLC ID	Wait for updating	

Features & Specifications

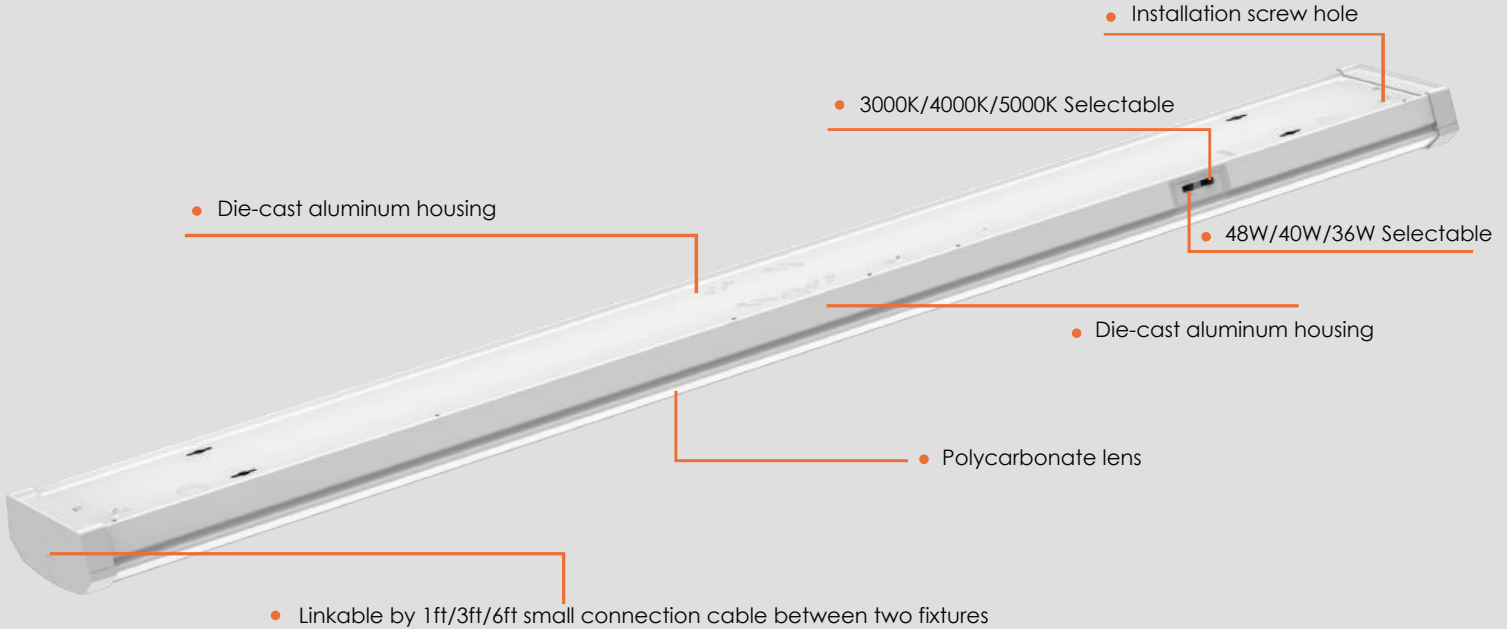
Construction	<ul style="list-style-type: none"> • 0-10V dimmable, 3CCT/3Watt selectable • Plug addition fixtures directly into the preceding fixture for easy linking • Link up to 8 fixtures (not exceeding a total of 384 watts) to operate off of one 5-amp outlet • Easy installation with expansion screws and screws to fix the luminaire • Includes a small connector, expansion screws and screws to mount light IP20 • for Damp location • PC lens+ Metal base for materials
Mounting	<ul style="list-style-type: none"> • Ceiling mounted for this luminaire
Performance Data	<ul style="list-style-type: none"> • 3000K/4000K/5000K color temperature selectable 80+ CRI • Electrical ratings: AC120-347V • Estimated life of over 50,000 hours to L70 • 0-10V dimming driver. Dimming cables included with this luminaire • 2kV surge protection (standard) Operating temperature: -20°C to 45°C (-4°F to 113°F)
Compliances	<ul style="list-style-type: none"> • ETL/FCC/DLC 5.1 certified for damp locations • DLC 5.1 standard approved

Dimensions & Weights

Model No.	VO-WR5FT4W48-347-3 Way-L
Diameter. (cm):	L47.2"x W5.29" (120x13.5)
Height in. (cm):	H2.13" (5.41)
Net weight (lbs):	3.79



Product Details



Compatible Dimmers

Brand	Model
LUTRON	NTSTV-DV
LUTRON	DVSTV
LUTRON	DS710
LUTRON	IP710

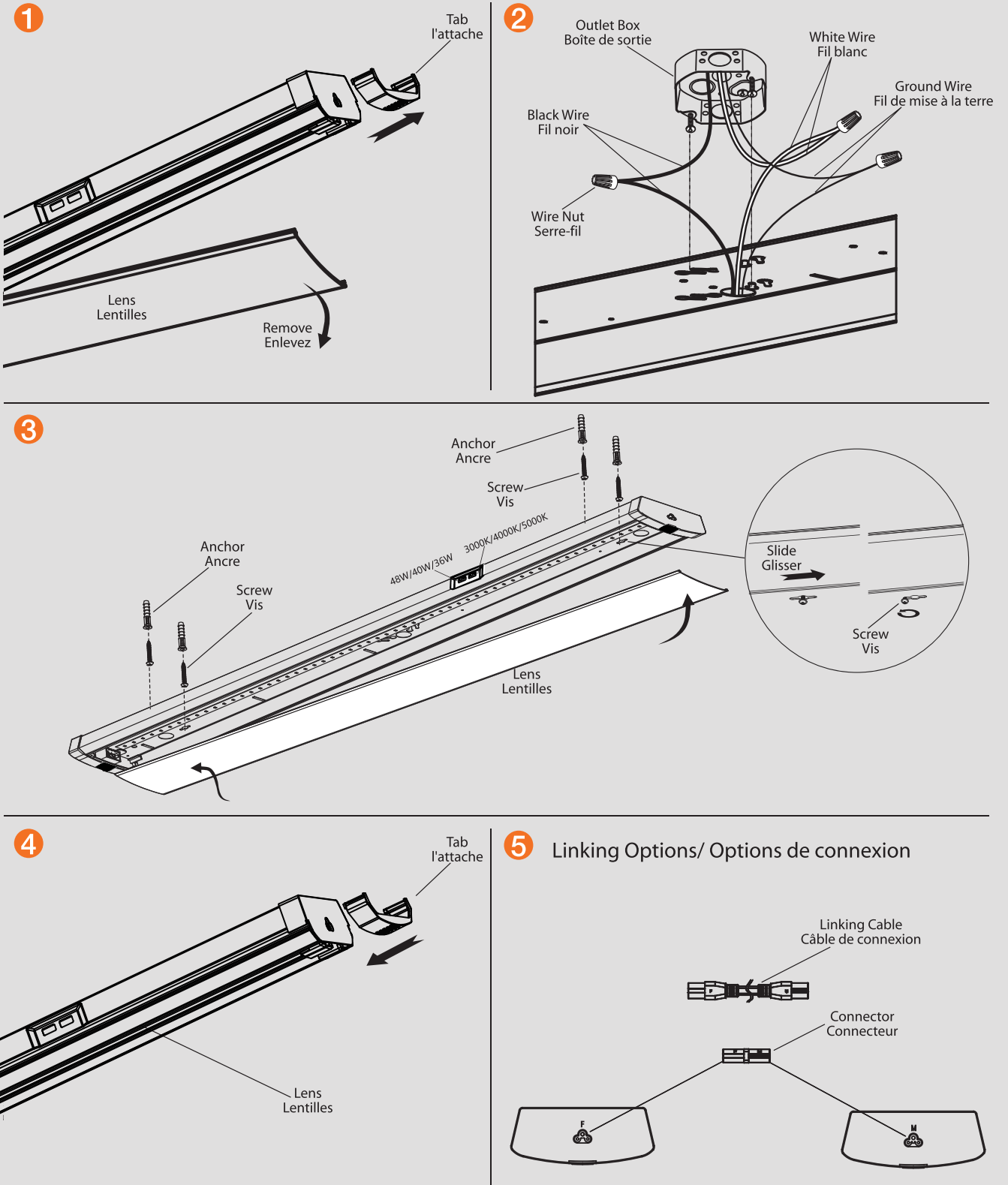
Dimming range : 0 - 10v

This table shows dimmers that have been tested and have demonstrated proper operation under normal conditions. Each installation being unique, various factors such as load, common neutrals or other electrical products on the circuit can, in certain instances, cause variance in system performance.

Read and comply to the dimmer installation instructions. Some dimmers may require more than one product for stable operation.

recommends to use dimmers designed to work with LED products. Older dimmers designed for incandescent products may cause erratic operation.

Installation



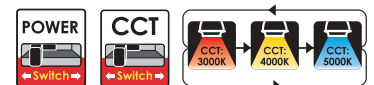
Accessories

Model No.:	Compatible With:
Installation kit - small connector*1, screws*6, expansion screw*4, terminal cap*3 #	VO-WR5FT4W48-347-3Way-L(Include)
1ft Connecting cable	VO-WR5FT4W48-347-3Way-L(Order separately)
3ft Connecting cable	VO-WR5FT4W48-347-3Way-L(Order separately)
6ft Connecting cable	VO-WR5FT4W48-347-3Way-L(Order separately)



Lumen Details

Model No.:	Watts (W)	3000K		4000K		5000K	
		Lumen Output (LM)	Efficiency (LM/W)	Lumen Output (LM)	Efficiency (LM/W)	Lumen Output (LM)	Efficiency (LM/W)
VO-WR5FT4W48-347-3Way-L	36W	4300LM	119	4500LM	125	4500LM	125
	40W	4500LM	123	5000LM	125	5000LM	125
	48W	5400LM	123	6000LM	125	6000LM	125



Data is based upon tests performed in a controlled environment. Actual performance can vary depending on operating conditions. All products are subject to change or may be discontinued any time without notice. Please contact your Votatec customer service representative to confirm inventory levels at time of order

