

Project : _____
 Type : _____
 Drawn by : _____
 Catalogue No. : _____
 Date : _____



Specifications

Model No.		<input type="checkbox"/> CR-7107B/WH	<input type="checkbox"/> CR-7107B/BK
General	Input Watt	8.5W	8.5W
	LED	2 X 6W	2 X 6W
	Lumen	850LM	850LM
	CCT	6500K	6500K
	Volts	AC120-347V	AC120-347V
	CRI	>80	>80
	Beam Angel	40degree	40degree
	Hours Rated	50000 hours	50000 hours
	Dimension	12.16"X10.98"X2.3"	12.16"X10.98"X2.3"
Electrical	Operating Frequency	50/60Hz	50/60Hz
	Power Factor	>0.7	>0.7
	Operating Temperature	0C° To 40C°	0C° To 40C°
Physical	Material	Steel housing and thermoplastic heads	Steel housing and thermoplastic heads
	Weight (Kg)	3.15	3.15
Additional Information	Additional Info	Compatible with remote head	Compatible with remote head
	Warranty	5 years	5 years
	Max. Output:	36W	36W
Compliance	Backup Time:	30 minutes	30 minutes
	MAX. remote LOAD	24W	24W
	Safety Listing	CSA -Listed	CSA -Listed
	Location Rating	Damp	Damp
	Energy Star	No	No
	DLC Approved	No	No
	DLC ID	No	No

Features & Specifications

Construction

- Steel housing and thermal plastic remote heads
- High efficiency LED
- Include 3ft Power Cord

Mounting

- Universal wall mount

Performance Data

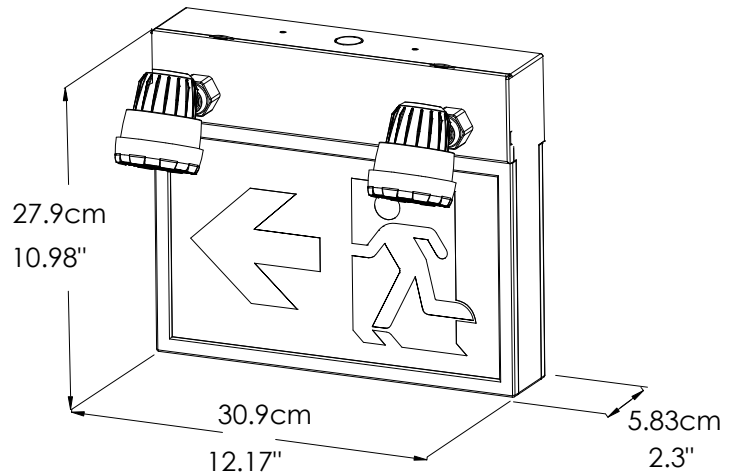
- 120-347VAC Input
- 6V 6Ah Lead Acid Battery
- Two 6W LED heads
- Diagnostic/pilot LED for AC ON and Charge
- Push button test switch
- Charging time: 24 hours

Compliances

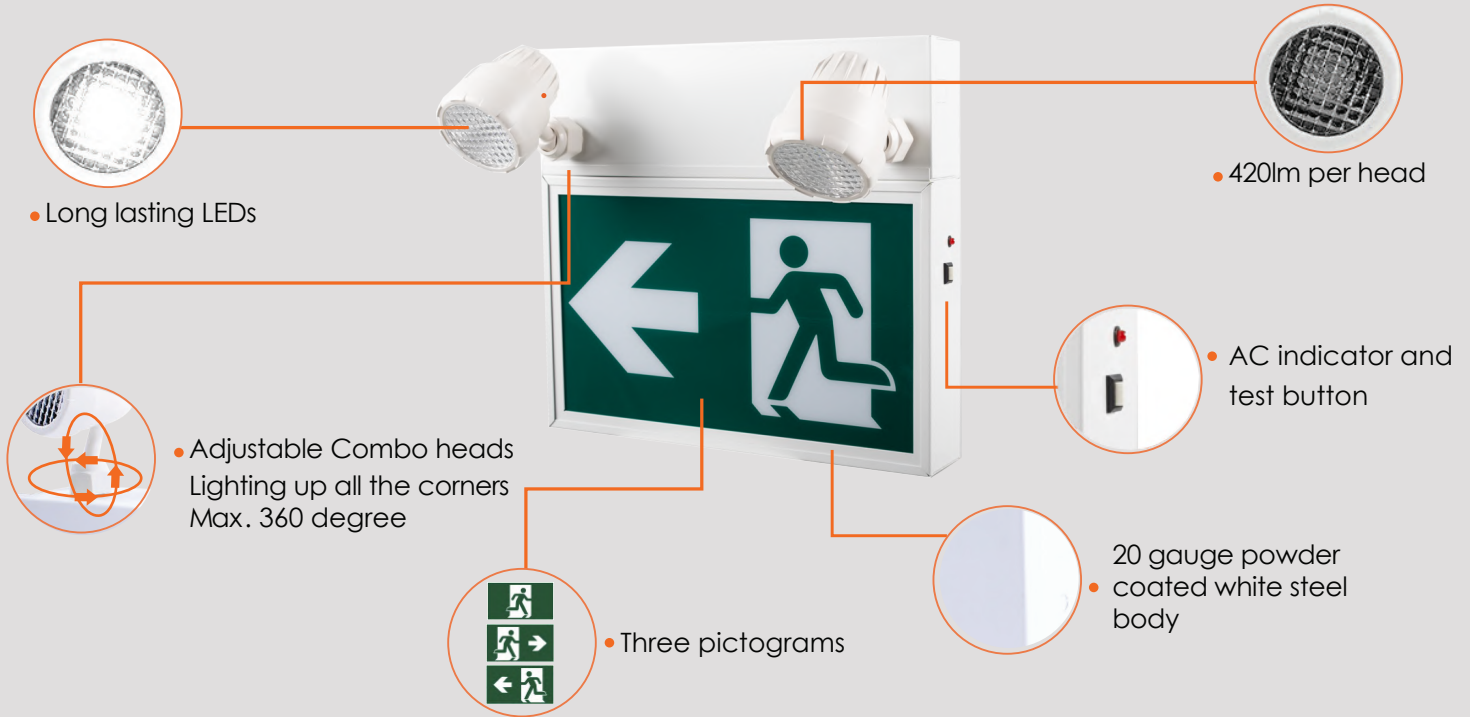
- CSA certified for damp locations

Dimensions & Weights

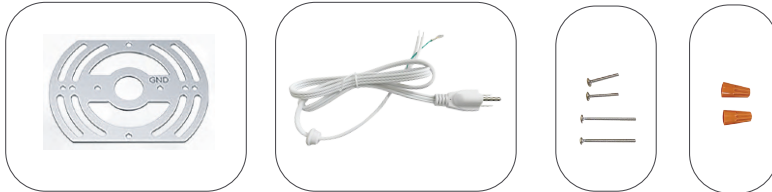
Model	CR-7107B
Length in.(cm)	12.17(30.9)
Width in.(cm)	2.3(5.83)
Height in.(cm)	10.98(27.9)
Weight(kg)	3.15



Product Details



Accessories (Included)



Battery Back Up Details

Wattage	Battery Backup Time
36W	30mins
13W	120mins

Rating Table

Model No.	Input Ratings				Emergency Output Rating		Emergency Run Time	Recharge Time
	Vac	Hz	Amps (mA)	Watts	Integral	Remote	Minutes	Hours
CR-7107B	120-347V	50/60	65	8.5	13W	Max. 24W	120	24



Data is based upon tests performed in a controlled environment. Actual performance can vary depending on operating conditions. All products are subject to change or may be discontinued any time without notice. Please contact your Votatec customer service representative to confirm inventory levels at time of order

