

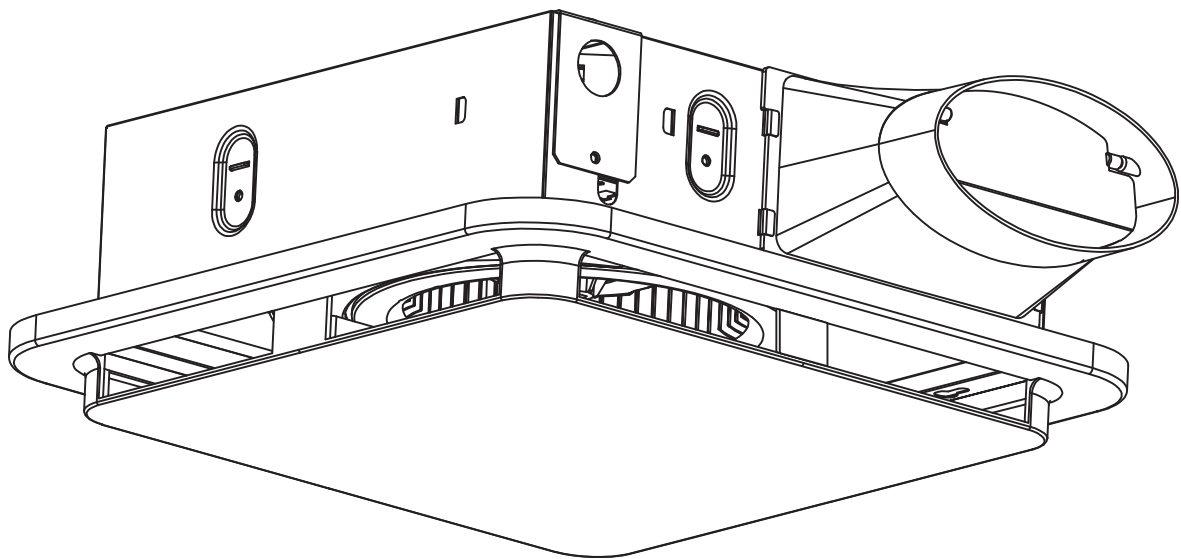


Innovation & Quality

[www.votatec.ca](http://www.votatec.ca)

# USE AND CARE GUIDE

## Quiet Ventilation Fan



VO-FN4W14-DC-3SPD

# SAFETY INFORMATION

## READ AND SAVE THESE INSTRUCTIONS

1. **WARNING** — TO REDUCE THE RISK OF FIRE ELECTRIC SHOCK OR INJURY TO PERSONS, OBSERVE THE FOLLOWING:
  - a. Use this unit only in the manner intended by the manufacturer. If you have questions, contact the manufacturer.
  - b. Before servicing or cleaning unit, switch power off at service panel and lock the service disconnecting means to prevent power from being switched on accidentally. When the service disconnecting means cannot be locked, securely fasten a prominent warning device, such as a tag, to the service panel.
2. This ventilation fan is approved for use over a bathtub or shower when installed in a GFCI protected circuit. Do not use unapproved fans over a bathtub or shower that is not approved for that application.
3. Installation work must be carried out by a qualified person(s) in accordance with all local and safety codes including the rules for fire-rated construction.
4. Always vent fans to the exterior and in compliance with local codes.
5. Install ductwork in a straight line with minimal bends.
6. Use 120 V, 60 Hz for the electrical supply and properly ground the unit. Follow all local safety and electrical codes.
7. Do not use this fan with any solid-state control device; such as a dimmer switch. Solid-state controls may cause harmonic distortion, which can cause a motor humming noise.
8. When cutting or drilling into wall or ceiling, do not damage electrical wiring and other hidden utilities.
9. To reduce the risk of fire or electric shock, do not block air entry grill.
10. Sufficient air is needed for proper combustion and exhausting of gases through the flue (chimney) of fuel burning equipment to prevent back drafting.
11. Ducted fans must always be vented to the outdoors.
12. Mount with the lowest moving parts at least 2.5 meters above floor or grade level.
13. To reduce the risk of fire or electric shock, do not use this fan with any solid-state speed control device.

Follow the heating equipment manufacturer's guideline and safety standards such as those published by the National Fire Protection Association (NFPA), and the American Society for Heating, Refrigeration and Air Conditioning Engineers (ASHRAE), and the local code authorities.



**WARNING** Not suitable for use as a range hood.



**NOTE** Make sure duct work size is a minimum of the discharge. Do not reduce. Reducing the duct size can increase fan noise.



**CAUTION** For general ventilating use only. Do not use to exhaust hazardous or explosive materials and vapors.



**IMPORTANT** You may want to consult with a professional electrician regarding the wiring of your ventilation fan.



**CAUTION** Do not install in locations where the air temperature will exceed 104°F (40°C).



**WARNING** To reduce the risk of electric shock, please disconnect the electrical supply circuit to the fan before installing light kit.



**IMPORTANT** Exercise care to not damage existing wiring when cutting or drilling into walls or ceilings.



**CAUTION** This product must be properly grounded.

# PRE-INSTALLATION

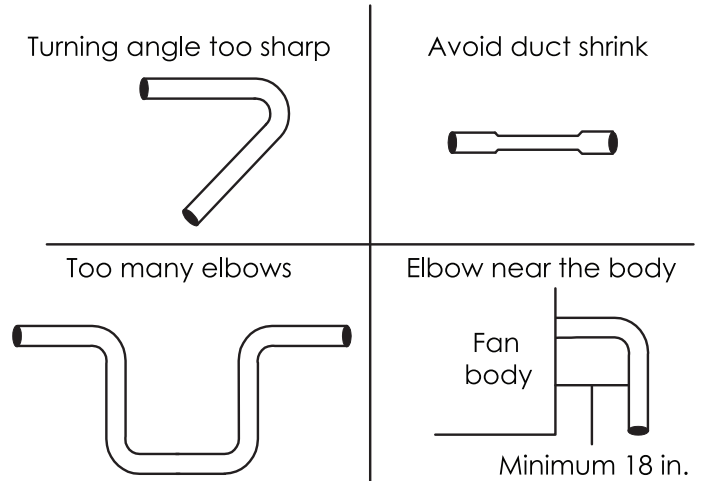
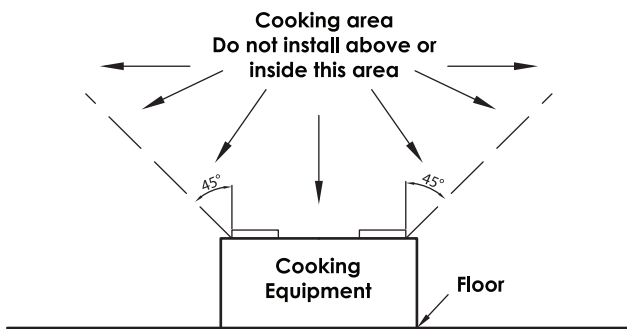
## PLANNING FOR SUCCESSFUL INSTALLATION

When installing the ventilation fan in a new construction site, install the main body of the fan and duct work during the rough-in construction of the building. The grille should be installed after the finished ceiling is in place.

When installing in existing construction, use the dimensions on page 7 to determine the required hole size for the ceiling. Grille edges should overlap finished ceiling.

Not for use in cooking area - see installation instructions.

Do not install ventilation fan in areas where the duct work will require configuration as shown.

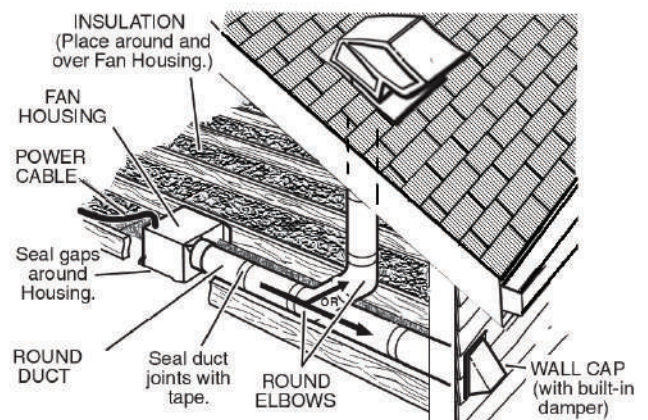
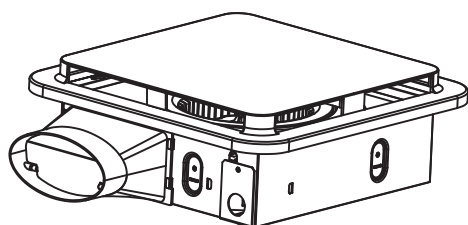


**IMPORTANT** The ducting from this fan to the outside of the building has a strong effect on the airflow, noise and energy use of the fan. Use the shortest, straightest duct routing possible for best performance, and avoid installing the fan with smaller ducts than recommended. Insulation around the ducts can reduce energy loss and inhibit mold growth. Fans installed with existing ducts may not achieve their rated airflow.

## INSTALLATION OPTIONS

We recommend installing the ventilation fan by securing the main body of the fan against one ceiling joist and using the hanger bars as necessary for support of the adjoining joist.

There are multiple installation configurations possible for this ventilation fan. Not all configurations are shown. If your installation requires a variation other than those shown, consult with a licensed contractor to determine the best installation for your project. If you are replacing an existing fan, ensure that the new grille will adequately cover the existing opening.



# INSTALLATION - NEW CONSTRUCTION

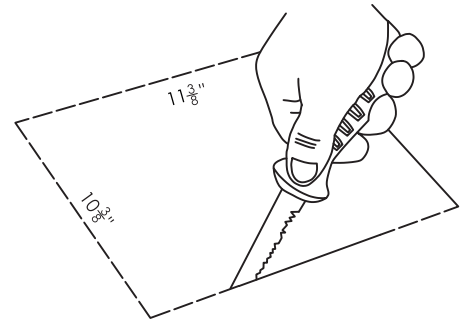
## CAUTION

1. Make sure power is switched off at service panel before installation.
2. Do not install in cooking area.
3. Choose the location of your fan to ensure the best air and sound performance. It is recommended that the length of ducting and the number of elbows be kept to a minimum, and that insulated hard ducting be used. Larger duct sizes will reduce noise and airflow restrictions.
4. Fan must not be installed in a ceiling thermally insulated to a value greater than R40.

## STEP 1

### Measure and cut the ceiling opening

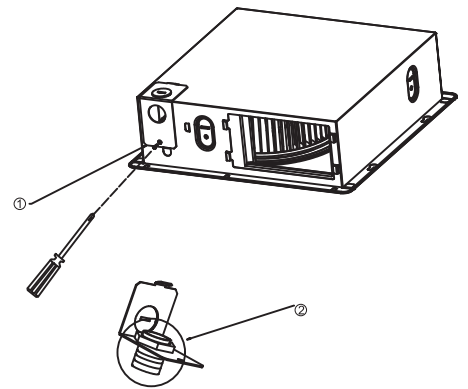
Measure the opening to ensure it is large enough to accommodate the fan housing (11-3/8 in. x 10-3/8 in.). And then cut.



## STEP 2

### Install the wire conduit

Remove the wiring box cover from the housing, and fix the wire conduit onto the hole.



## STEP 3

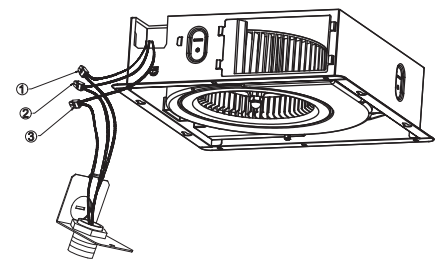
### Connect the house and fan wires

Connect the wire through the hole and into the junction box(not included). Using a wire nut(Not included), secure 120VAC house wiring from the wall switch to the fan as shown in the wiring diagram. 14AWG is the smallest conductor that shall be used for branch-circuit wiring.



**CAUTION:** Make sure power is switched off at service panel before starting installation.

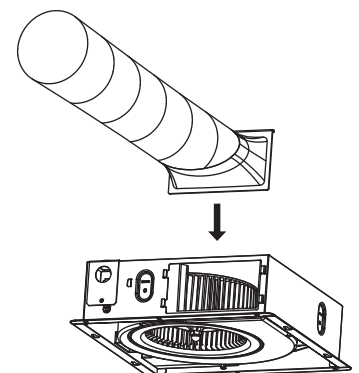
Push the wires back through the hole. Reattach the wiring box cover.



## STEP 4

### Attach the duct

Using duct tape, attach the duct to the duct connector. Slide the duct connector into the housing.



# INSTALLATION - NEW CONSTRUCTION

## STEP 5

### Mount the fan housing

Notion: There are two mounting ways to mount the fan housing. Please try to use the Step 5b as possible as you can.

#### Step 5a. Mount with Mounting Holes (No Attic Access)

Align the product as necessary to mount the product between the framing. Using 4 screws, install the product onto the framing through Holes.

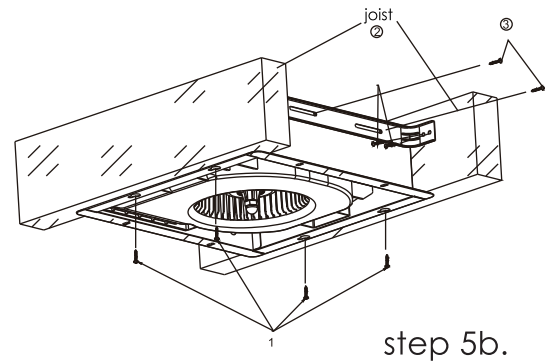
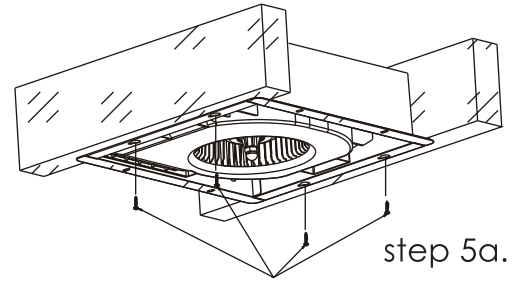
#### Step 5b. Mount with Hanger Bars and Mounting Holes (Recommended)

Engage hanger bar with the channel on the product's casing. Adjust hanger bar as necessary to mount the product between the framing. Align the hanger bar tab with the inner side of the framing.

Using screws, install the product onto the framing through Holes.

Using screws, attach the end tab of the hanger bar to the framing.

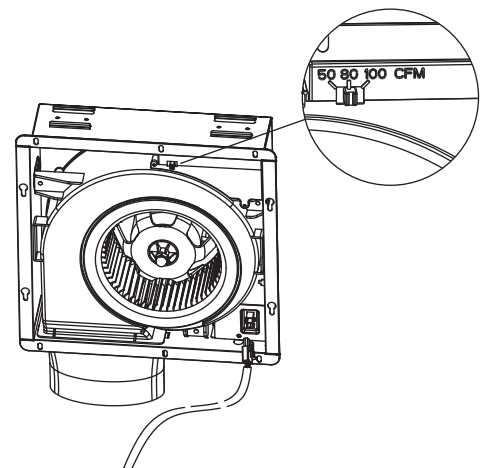
Using screws, attach the hanger bar onto the product's casing.



## STEP 6

### Plug fan in the power and select CFM

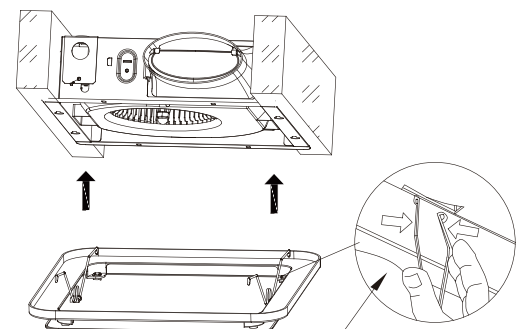
Plug the motor assembly back into the power unit. Select the proper CFM on the selector switch according to your need.



## STEP 7

### Install the panel

Press the spring and put into the proper location in the housing



# TROUBLESHOOTING

PROBLEM	POSSIBLE CAUSE	CORRECTIVE ACTION
The fan seems louder than it should	CFM too great	Be sure the CFM rating on the fan matches the size of your room
	Damper not working properly or damaged	Check damper to ensure it is opening and closing properly. If the damper has become damaged, please call Customer Service
	Bend in duct too close to fan discharge	Be sure you do not have any sharp bends in duct closer than 18 in. to the fan discharge
	Fan discharge reduced to fit smaller duct	Use recommended size ducting to reduce fan noise
	Fan housing not securely attached	Be sure the fan is securely attached to your ceiling joists
The fan is not clearing the room	Insufficient intake airflow within room	Be sure a door or window is slightly ajar or opened to allow airflow. The fan is not able to draw air out of the room without enough airflow to draw from
	Insufficient CFM	Be sure the CFM rating on the fan matches the requirements for your room size NOTE: Using a tissue is not an accurate method for determining if the fan is operating properly. If the fan clears steam from the room within approximately 15 minutes of completing your shower, then the fan is operating properly

## LIMITED 2-YEAR WARRANTY

If this product fails due to a defect in materials or workmanship at any time during the first 2 years of ownership the manufacturer will replace it free of charge, postage-paid at their option. This warranty does not cover products that have been abused, altered, damaged, misused, cut or worn. This warranty does not cover use in commercial applications. Use only manufacturer-supplied genuine warranty repair replacement parts to repair this fan. Use of non-genuine repair parts will void your warranty. The manufacturer **DISCLAIMS** all other implied or express warranties including all warranties of merchantability and/or fitness for a particular purpose. As some states do not allow exclusions or limitations on an implied warranty, the above exclusions and limitations may not apply. This warranty gives you specific legal rights, and you may have other rights that vary from state to state.

This warranty is limited to the replacement of defective parts only. Labor charges and/or damage incurred during installation, repair, replacement as well as incidental and consequential damages connected with the above are excluded. Any damage to this product as a result of neglect, misuse, accident, improper installation or use other than the purpose **SHALL VOID THIS WARRANTY.**