

Project : _____
 Type : _____
 Drawn by : _____
 Catalogue No. : _____
 Date : _____



Specifications

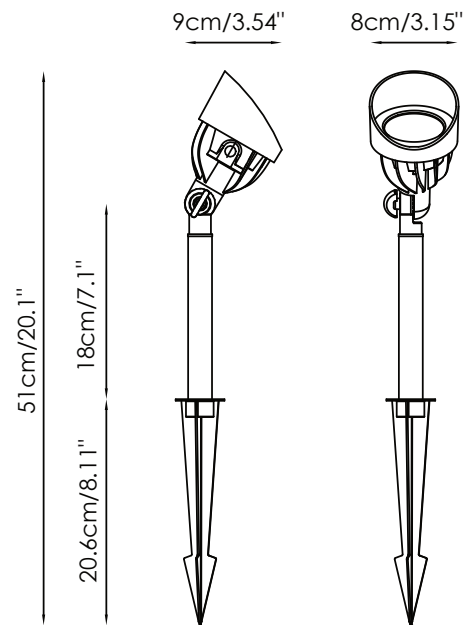
Model No.		□ VO-GDW8-3WAY-12-SP
General	Watts	8W
	Lumen	620-650L
	Protection class	III
	CCT	3000K/4000K/5000K ADJ
	Volts	AC/DC12V
	CRI	80
	Beam Angel	60°
	Hours Rated	50000 hours
	Min Compartment Size	Length: 3.15 in. Width: 3.54 in. Height: 20.1 in.
Electrical	LED Qty	12
	LED Type	3030 SMD
	Operating Frequency	50-60Hz
	Power Factor	1
	Operating Position	Vertical
	Operating Temperature	-20°C to 40°C (-4°F to 104°F)
Physical	Material	Aluminium
	Surface treatment	Powder painting
	IKgrade	IK05
	Lens Material	Plastic
	Housing Color	Bronze
	Weight (Kg)	0.42
Additional Information	Additional Info	CCT adjustable
	Warranty	5 years
Compliance	Water Proof Rating	IP65

Features & Specifications

Construction	<ul style="list-style-type: none"> • Pure light aluminum shell provides optimal heat dissipation and high lumen efficacy. • Clear polycarbonate lens over LEDs provides a high light efficacy. Standard 60° beam angle. • CCT Select button is placed on the head of the product. • 60cm Cable is included.
Mounting	<ul style="list-style-type: none"> • Installation spike included for mounting.
Performance Data	<ul style="list-style-type: none"> • Available in 3000K/4000K/5000K selectable color temperature • 80+ CRI • Electrical ratings: AC/DC12V • Estimated life of over 50 000 hours • Operating temperature: -20°C to 40°C (-4°F to 104°F)
Compliances	<ul style="list-style-type: none"> • IP65
Application	<ul style="list-style-type: none"> • Used in various outdoor locations such as gardens, walkways, driveways, and patios.

Dimensions & Weights

Model	VO-GDW8-3WAY-12-SP
Length in.(cm)	3.15" (8cm)
Width in.(cm)	3.54" (9cm)
Height in.(cm)	20.1" (51cm)
Net weight (lbs)	0.93



Product Details



Installation

Caution: Avoid overloading the adapter by not exceeding the maximum recommended load. Consider cable loss and use the appropriate wire gauge during installation to prevent decreased performance, overheating, and potential safety issues. Please ensure these factors are carefully taken into account for the efficient and safe operation of your landscape lighting system.

For example, if the adapter has a power rating of 88 watts, aim for a power draw of around 80 watts with a 10% safety margin. Each light consumes 8 watts, allowing for a maximum of 10 lights to be powered. It is advisable to use cables shorter than 10 meters to minimize losses.

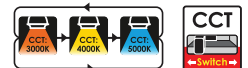
Accessories (Order Separately)

Order Code	Compatible With
Holder	VO-GDW8-3WAY-12-SP



Lumen Details

Model No.:	Watts (W)	3000K		4000K		5000K	
		Lumen Output (LM)	Efficiency (LM/W)	Lumen Output (LM)	Efficiency (LM/W)	Lumen Output (LM)	Efficiency (LM/W)
VO-GDW8-3WAY-12-SP	8W	620LM	77.5	650LM	81.25	630LM	78.75



Data is based upon tests performed in a controlled environment. Actual performance can vary depending on operating conditions. All products are subject to change or may be discontinued any time without notice. Please contact your Votatec customer service representative to confirm inventory levels at time of order

