

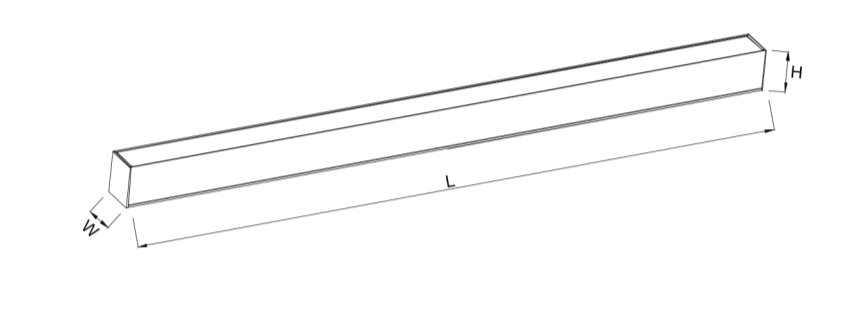
**Safety Information**

- CAUTION! Risk Of Electrical Shock.**
- Turn off all power prior to installation by switching off circuit breaker or removing fuse at fuse box.
- This product should be installed by a certified electrician in accordance with relevant federal, state and local building and electrical codes

**Common Failures & Solutions**

Common Failures	Solutions
Light is out	Ensure the lamp is well connected.
Flashing	Ensure the switch is turned on. Ensure the voltage is stable. Ensure the dimmer is compatible.

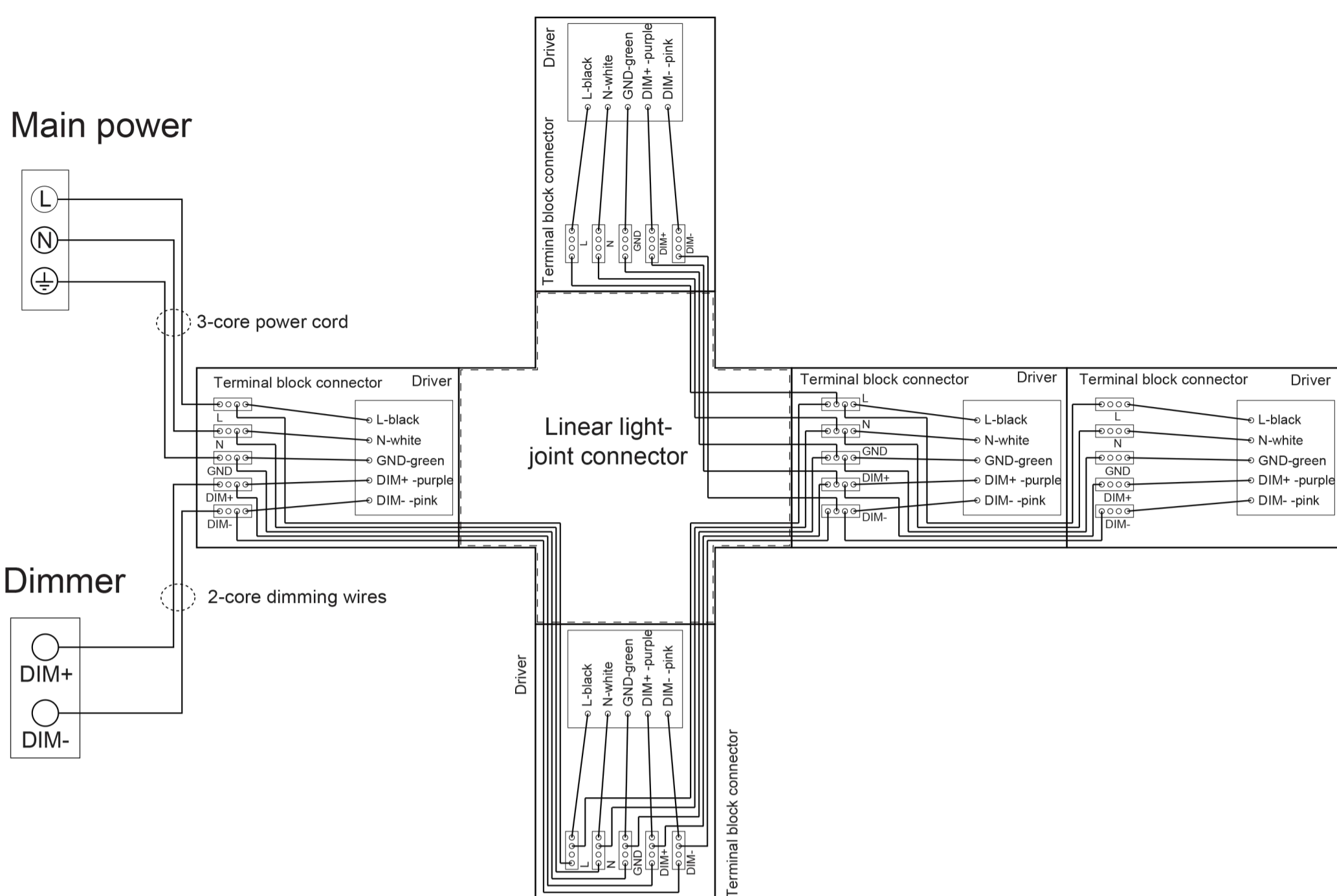
**Size**



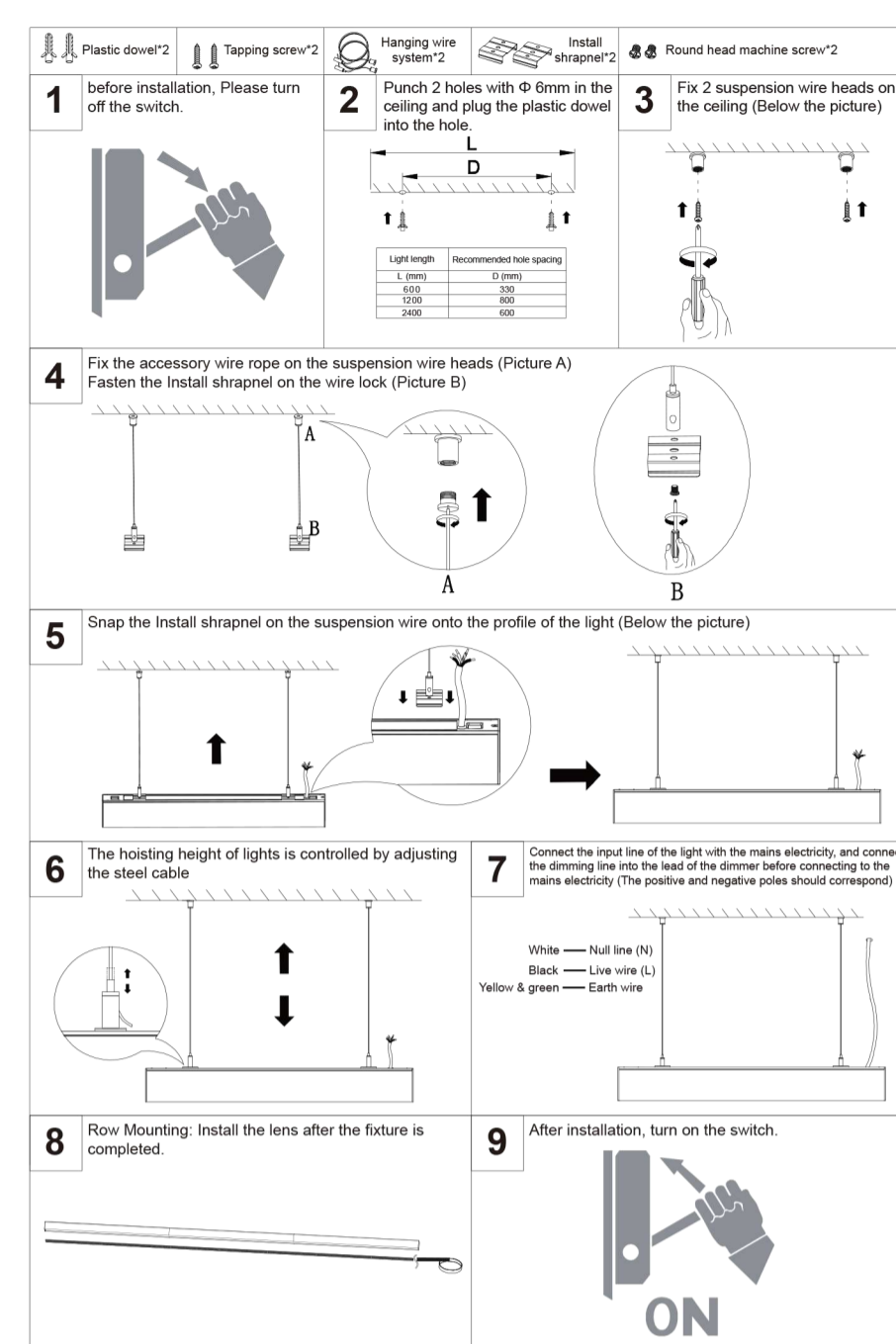
SIZE	L X W X H (mm)	L X W X H (Inch)
2FT	600 X 60 X 75 mm	24 X 2.36 X 2.95"
4FT	1200 X 60 X 75 mm	48 X 2.36 X 2.95"
8FT	2400 X 60 X 75 mm	96 X 2.36 X 2.95"

All the pictures are just for references.

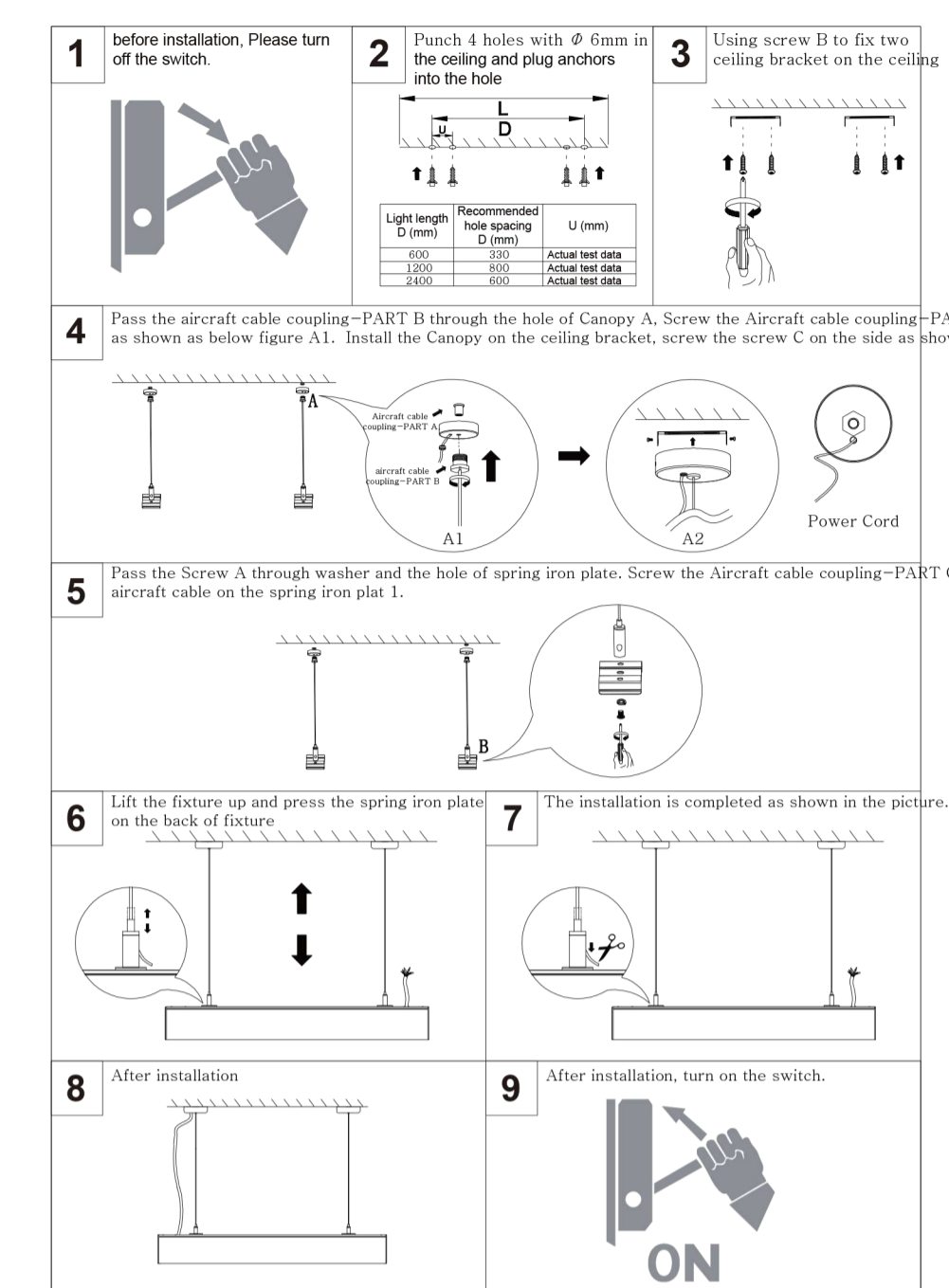
**Linear light-wiring diagram**



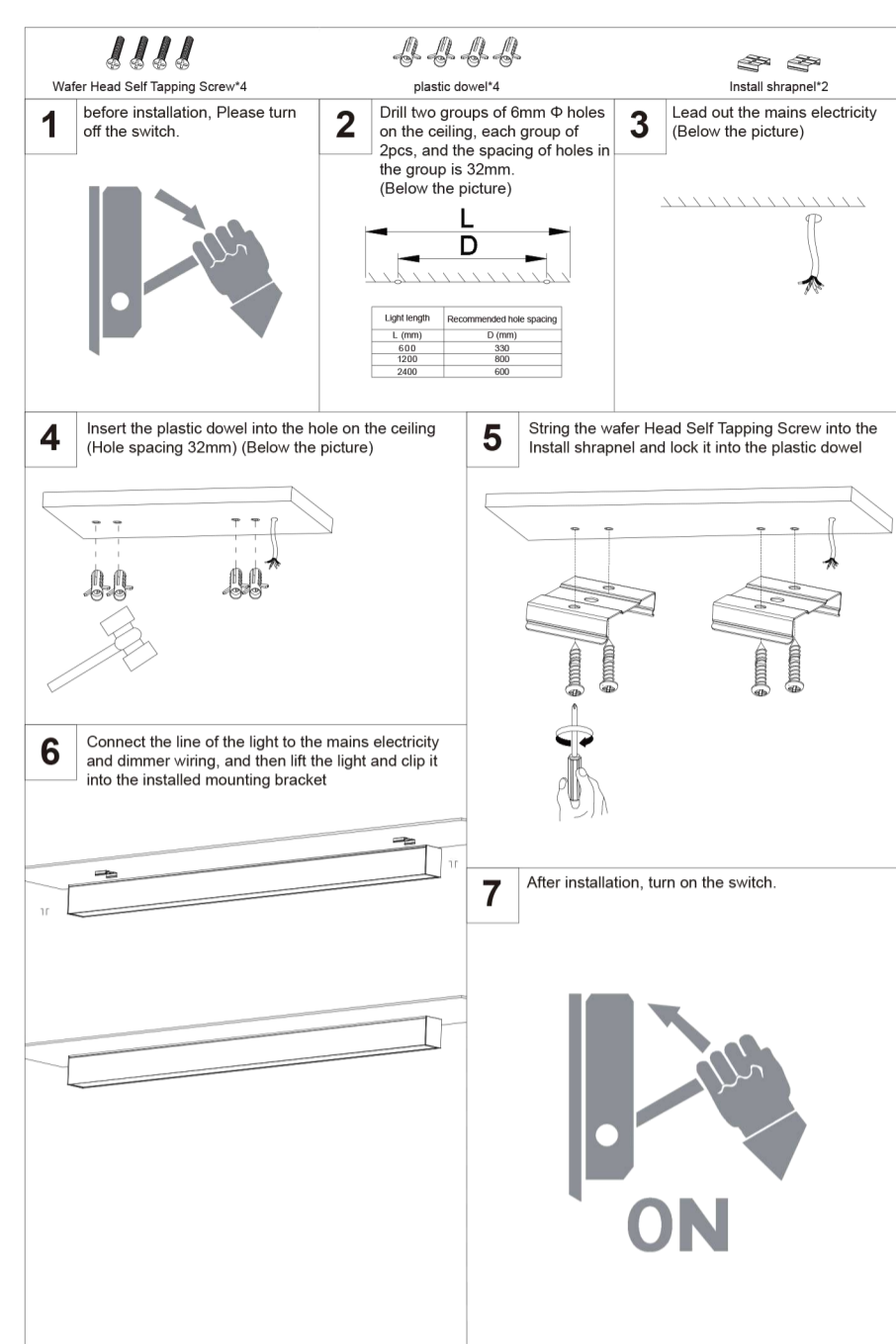
**Suspension installation**



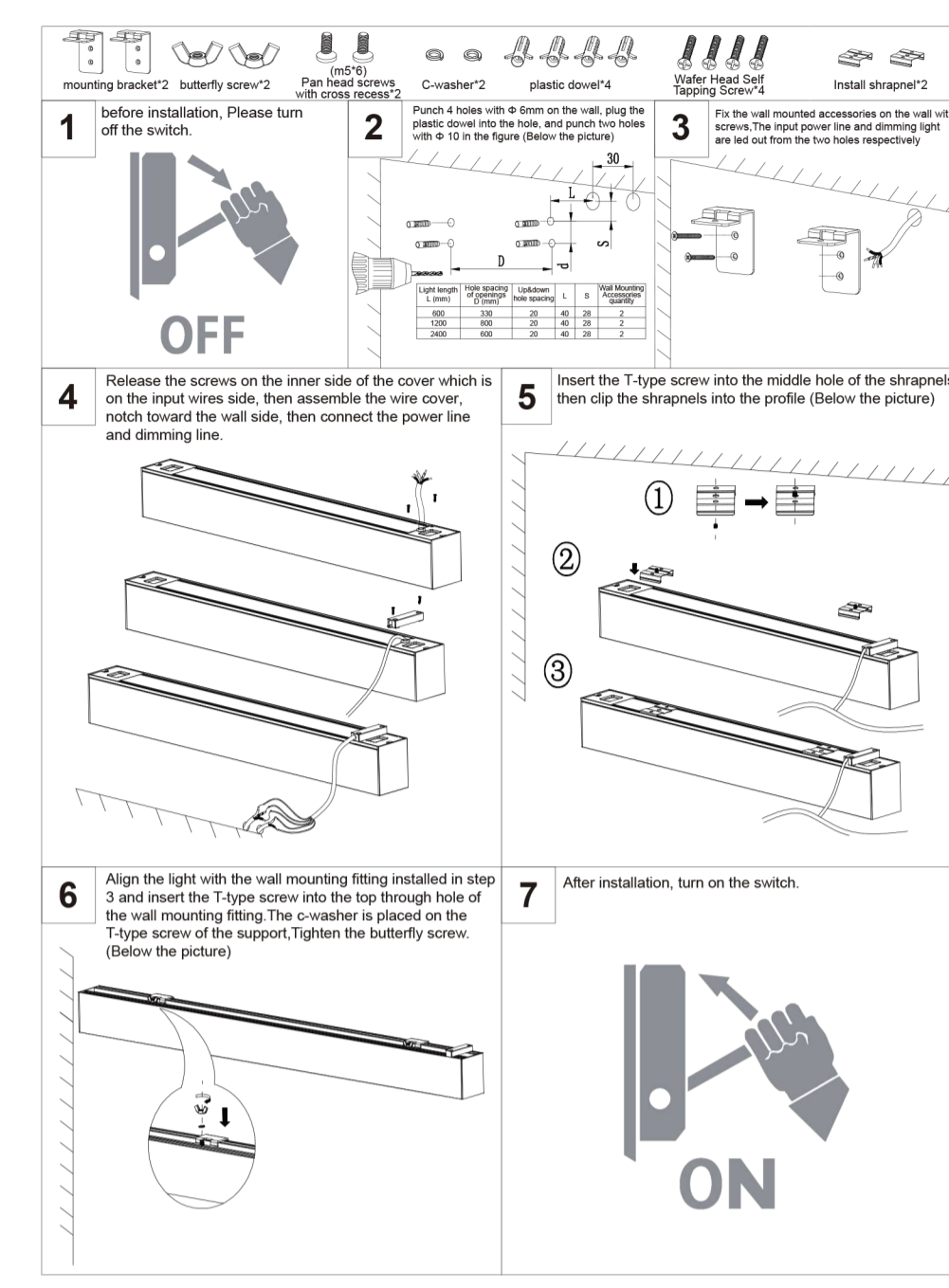
**Suspension with canopy installation**



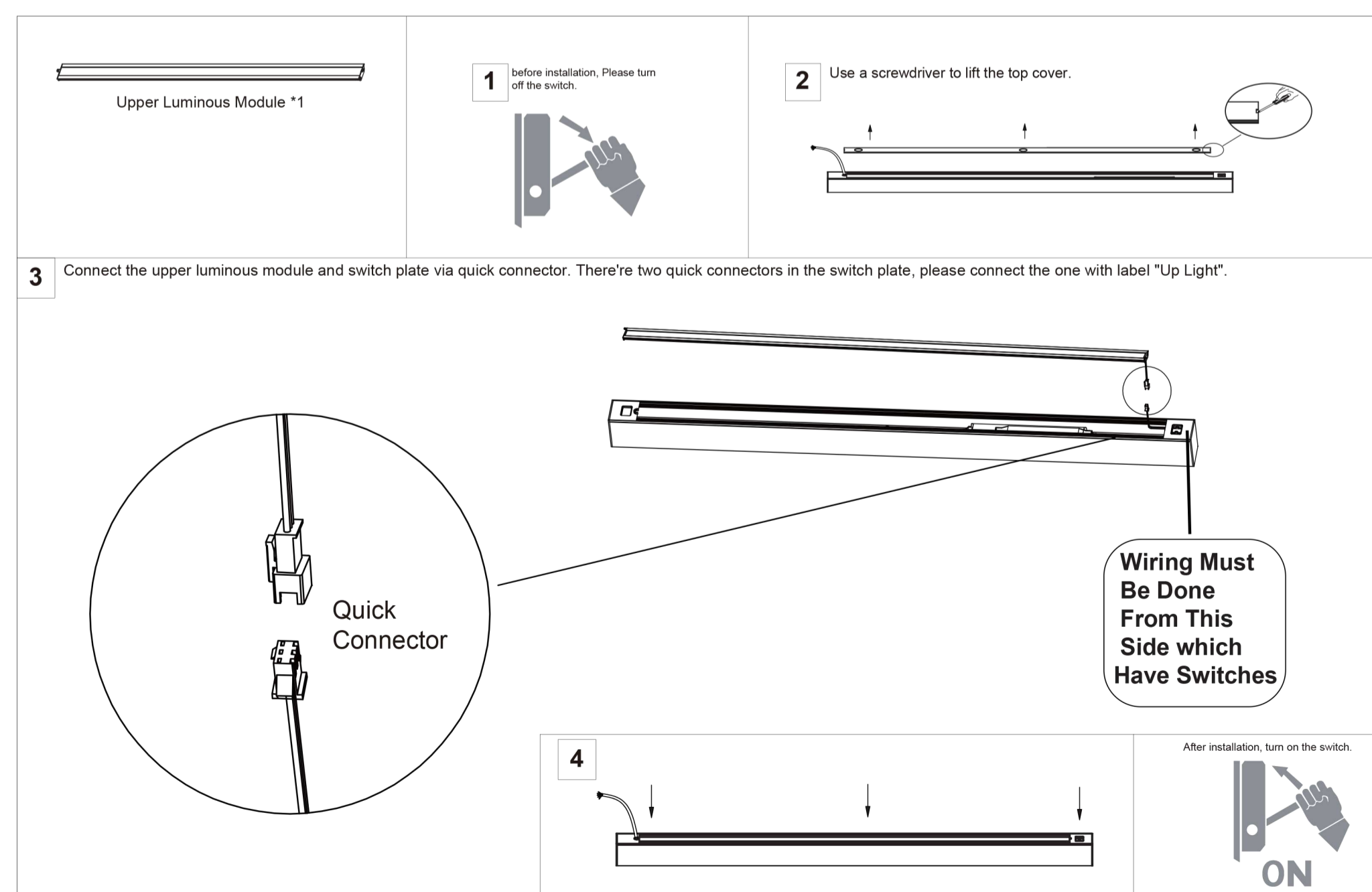
**Surface Installation**



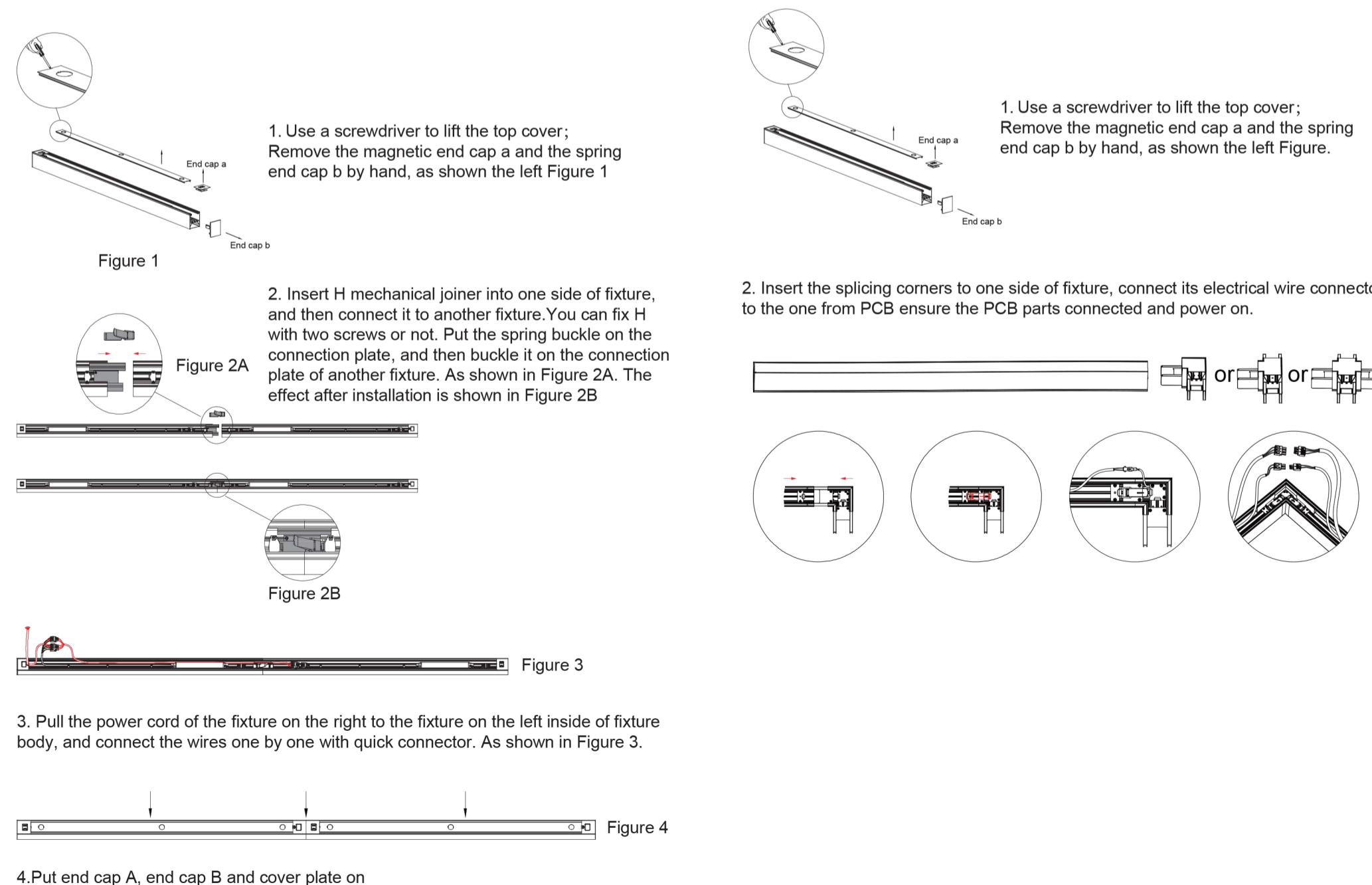
**Wall Installation**



**Upper Luminous Module Assembly**



**Continuous Installation**



**"T" "L" Joint Installation**

